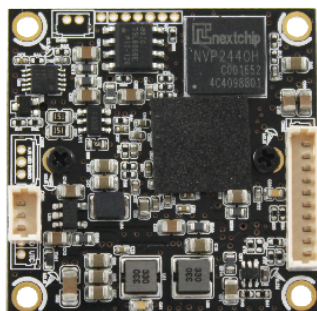


MD432F Series

TVI, AHD, CVI, CVBS 4 in 1 Module Camera



Features

- 2.12MP Sony Exmor CMOS Sensor
- TVI/AHD/CVI/CVBS Selectable by Optional OSD (*Pre-program up on request)
- f=3.6mm default, 3MP Mega Lens (Lens options available)
- 1080P Video Output (Full HD Transmission Max 300M)
- Color : 0.08Lux, B/W : 0.008Lux
- Sens-up : Color 0.008Lux, B/W : 0.0008Lux
- UTC Function

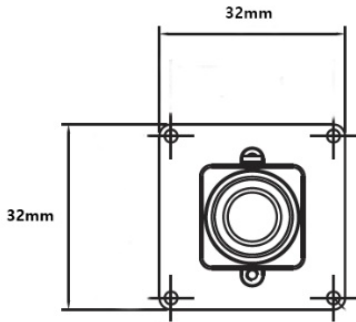
Specification

Image Sensor	1/3 inch, 2.12 Megapixel Sony Exmor CMOS
Signal System	NTSC / PAL
Effective Pixels	2001(H) x 1121(V) / 1936 (H) x 1097(V)
Min. Illumination	COLOR : 0.08Lux / BW : 0.008Lux Color Sen-up :0.008Lux / BW Sen-up :0.0008Lux
Lens	3.6mm default, 3MP MEGA lens (Lens Options are Available)
Resolution	TVI, AHD, CVI : 1080P CVBS : (1280H)_1000TVL
Video Output	TVI, AHD, CVI, and CVBS Selectable by Optional OSD
S/N Ratio	More than 52dB (AGC off)
AGC	Off/0 - 15
Shutter Speed	AUTO/FLK NTSC : 1/30~1/50,000sec PAL : 1/25~1/50,000 sec
Sens-up	AUTO(x6)/x2.x4.x6.x8.x10.x15.x20.x25.x30
Brightness	0 - 100
Backlight	Off/BLC/HSBLC
D-WDR	ON(0~8)/OFF
Defog	AUTO/OFF
Day / Night	Auto / Color / B&W / EXT
White Balance	ATW/AWC-SET/INDOOR/OURDOOR/MANUAL/AWB
DNR	3D-DNR(OFF/LOW/MIDDLE/HIGH)
Digital Effect	Off / MIRROR / V-FLIP / ROTATE & FREEZE
Sharpness	AUTO(0~255)/OFF
Privacy Mask	4 Zone
Motion Detection	Off/On
Language	ENG/GER/FRA/ITA/SPA/POL/RUS/POR/NED /TUR/KOR/JPN/HEB/ARB
Power Input	DC+12V (±30%)
Power Consumption	Max. 1.2W
Cable	Standard 500mm BNC/DC Jack
Operation Temperature	14°F - 122°F
Dimension	32 x 32 mm

MD432F Series

TVI, AHD, CVI, CVBS 4 in 1 Module Camera

Dimension



Optional OSD Operation



*Pre-program up on request.

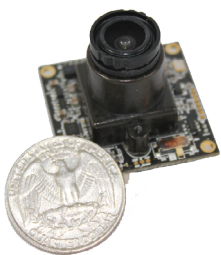
Push the Joystick to RIGHT for 5sec : AHD
 Push the Joystick to LEFT for 5sec : CVBS
 Push the Joystick to UP for 5sec : CVI
 Push the Joystick to DOWN for 5sec : TVI

Included Cable



Order Information

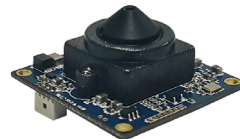
PART #	LENS	Angle of View		
		Diagonal	Horizontal	Vertical
MD432F245	2.45mm	136°	116°	69.2°
MD432F3	2.8mm	122°	105.7°	63.5°
MD432F4	3.6mm	99.4°	85.4°	50.8°
MD432F6	6.0mm	60.7°	49.5°	33.4°
MD432F8	8.0mm	46.9°	37.4°	23.1°
MD432F12	12mm	33.5°	26.2°	17.6°
MD432P1	3.7mm Flat Pinhole	87.1°	71.6°	44.2°
MD432P2	3.7mm Supercone Pinhole	87.1°	71.6°	44.2°
MD432V1	2.8~12mm Varifocal	114° ~ 31.4°	91° ~ 27.8°	61.1° ~ 17.2°



Board Lens



Flat Pinhole Lens



Supercane Pinhole Lens



Varifocal Lens