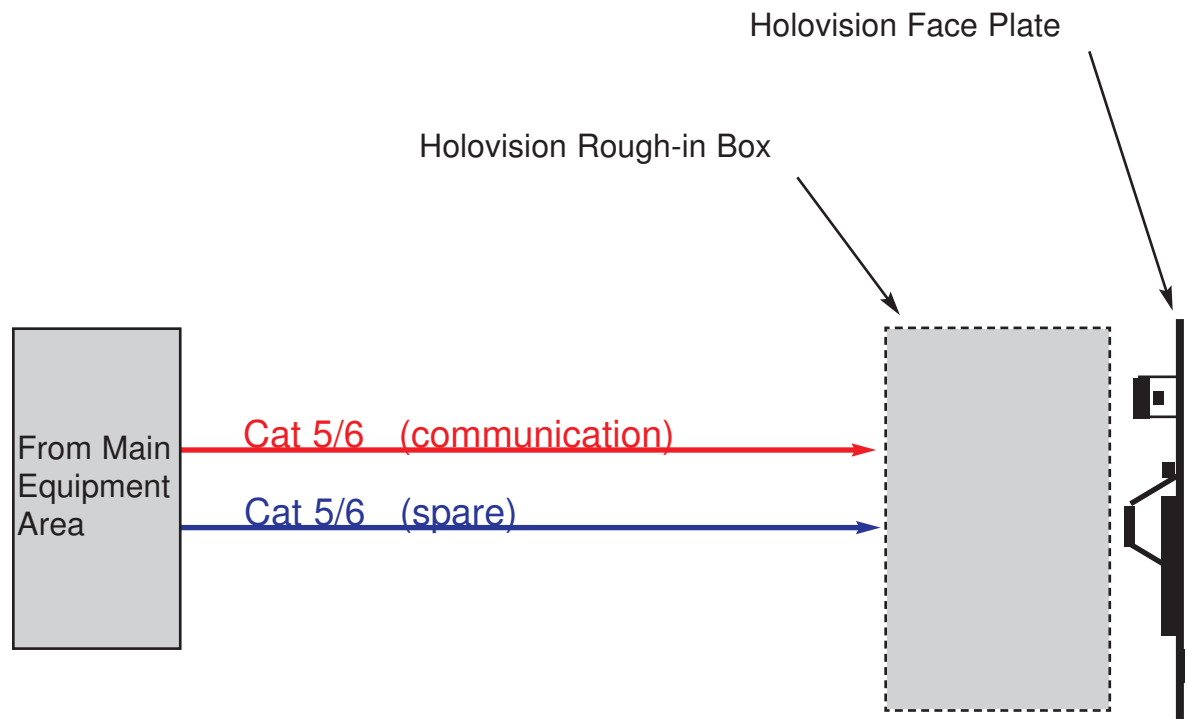


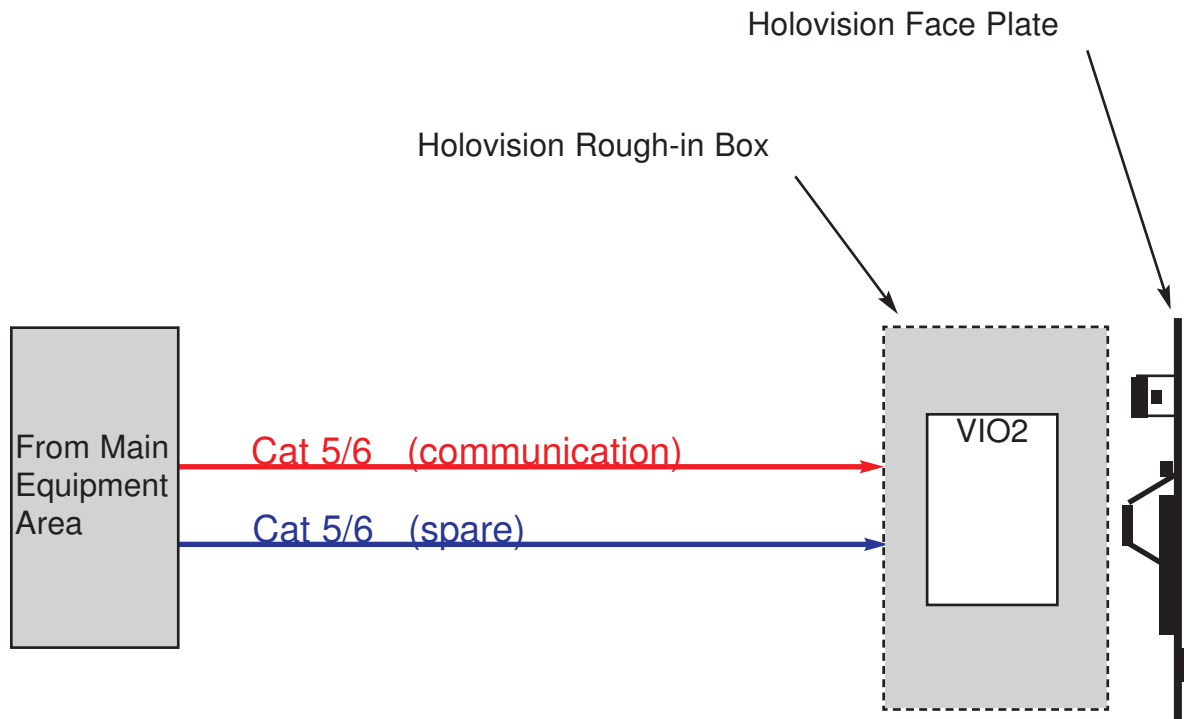
Prewire for Models 100, 106, 300, 500, 504, 511, etc.

Prewire for all "Pan", "TES2", "Vik", "Elan", etc.



NOTE:
Wires shown in red are the minimum required
Wires shown in blue are recommended

Prewire for Models 100-VIO2, 106-VIO2, 300-VIO2, 420-VIO2, 421-VIO2



NOTE:
Wires shown in red are the minimum required
Wires shown in blue are recommended

Door Station Rough-in

Model 100, 101, 106, 107, 400, 410,
500, 504, 511



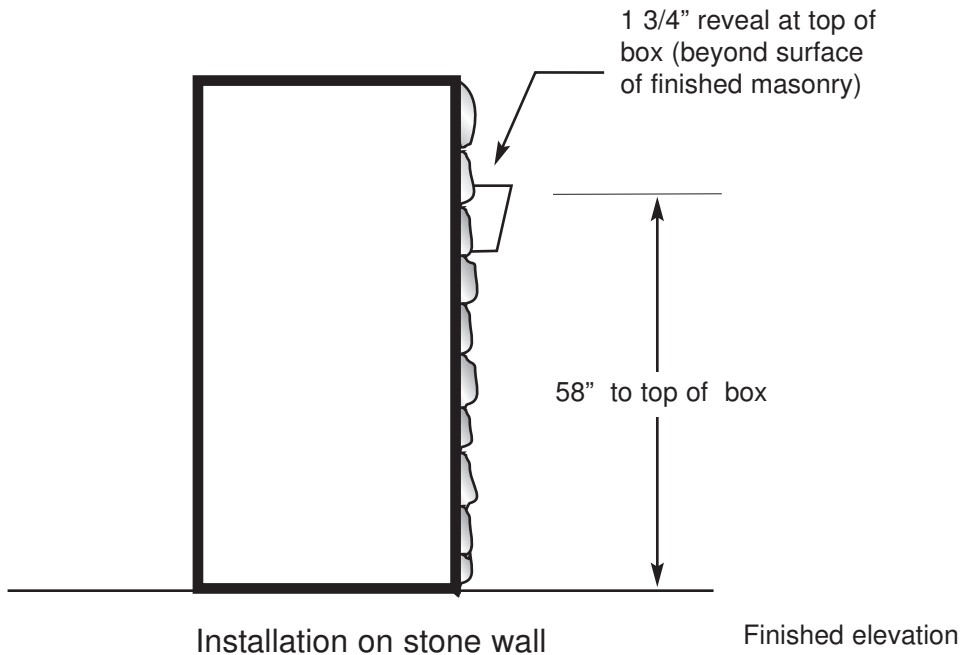
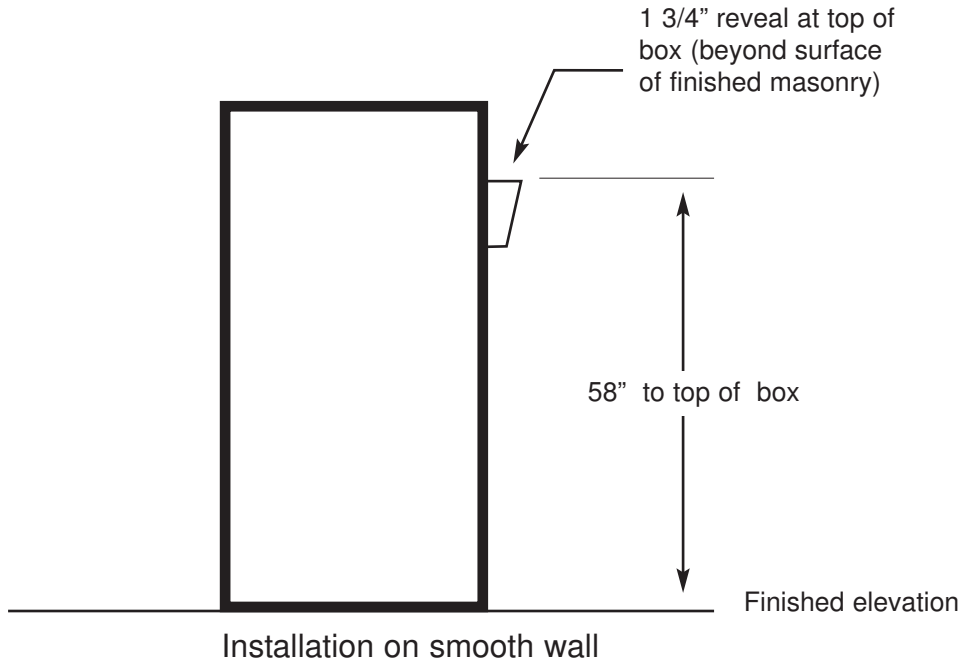
50"

NOTE: All dimensions
given are relative to
“finished” surface, not
rough grade.

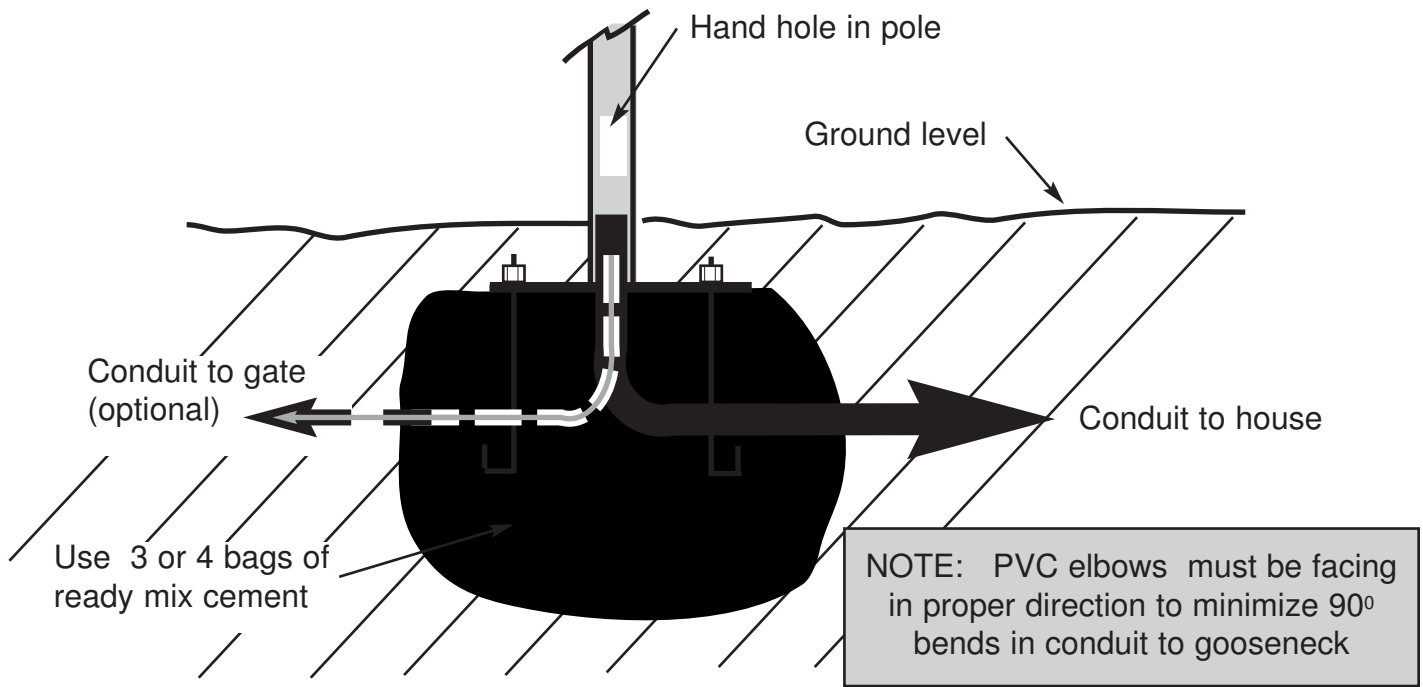
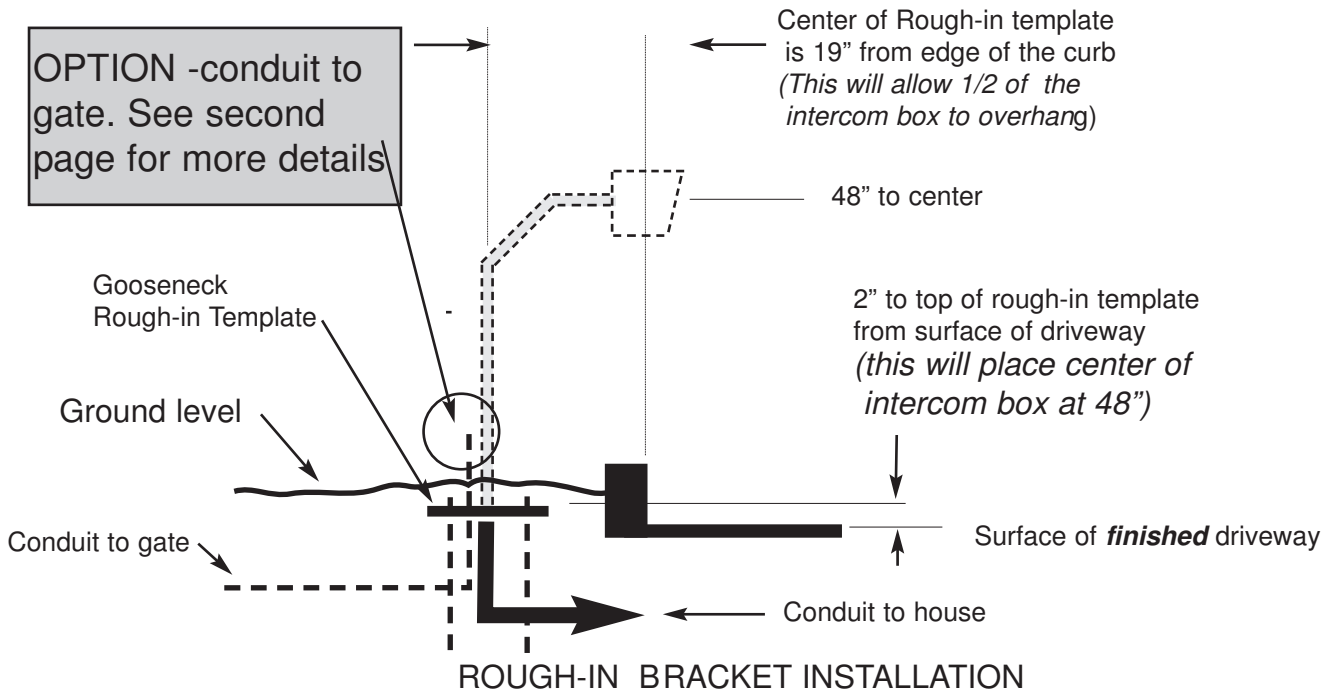
***NOTE:** Model 501 requires separate push
button. Locate push button near door at
approximately 40” above finished surface

Installation Details - 300 and 600 Series

Stone Pilaster Installation



Installation Details - 2 Piece Gooseneck



DETAIL OF ATTACHMENT OF POLE ONTO BASE

Installation Details - 2 Piece Gooseneck

Optional application with 2 conduits

