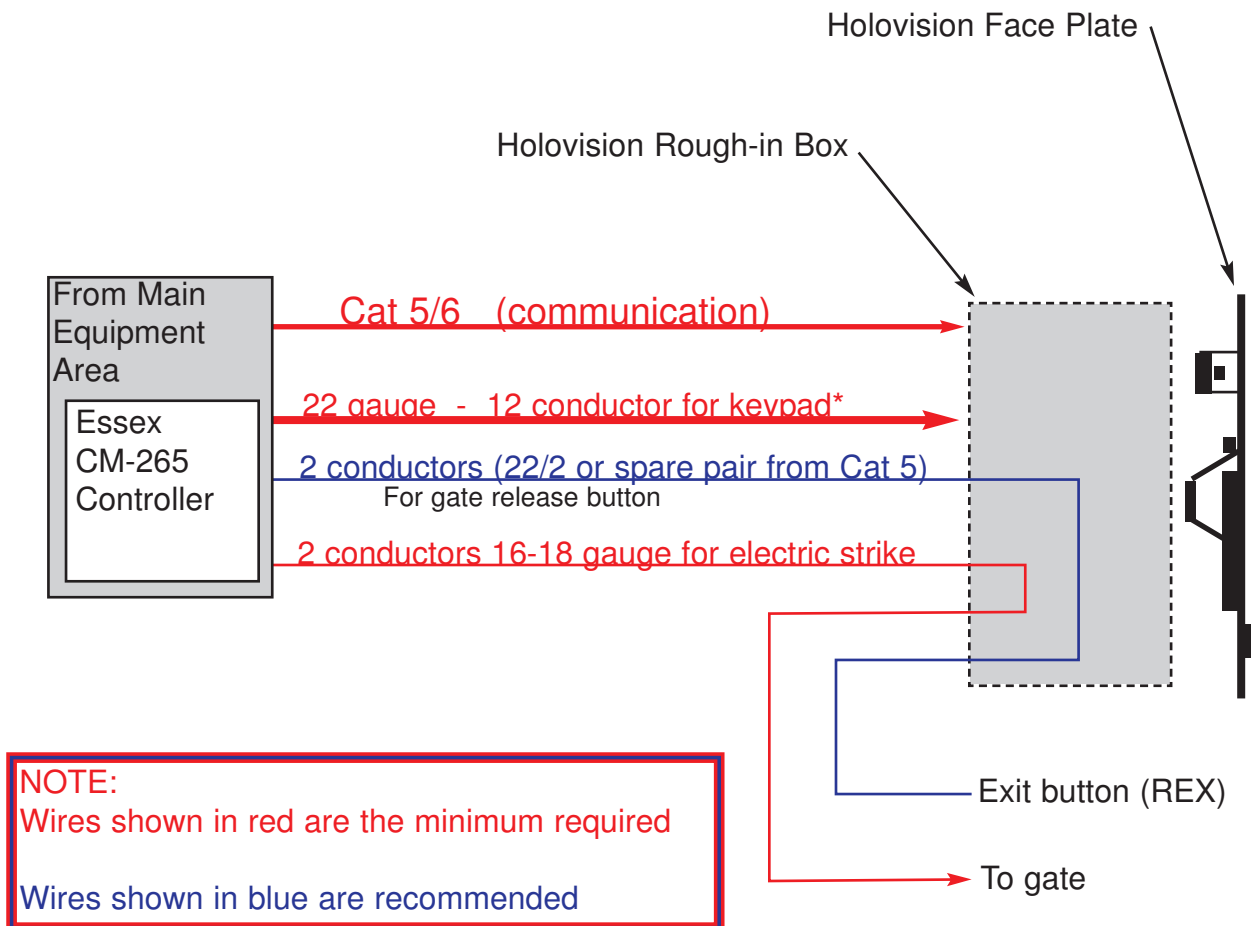


Prewire for Models 101, 107

Prewire for all "Pan", "TES2", "Vik", "Elan", etc.



Note on Essex Wiring: Wires to connect to the **gate strike** and to the **gate release button** are required (see above). Electric motorized gates require only a contact closure from the CM-265. Electric strikes or mag locks can draw several amps, and the appropriate wire size should be calculated, however 16 ga should be adequate in most instances. Longer runs will require a heavier gauge wire.

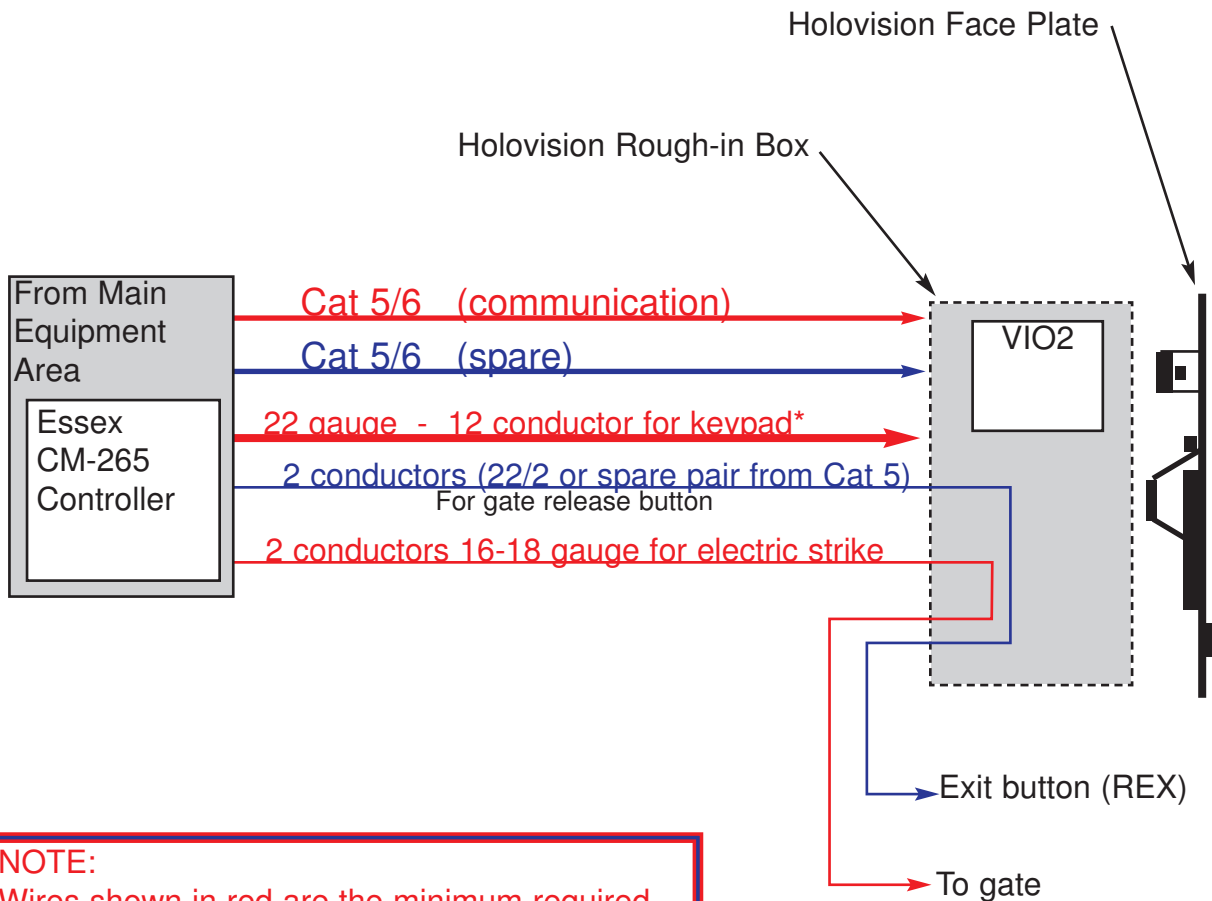
Note that mag locks require constant power, whereas strikes require only momentary activation. Therefore, the calculation of wire size for mag locks is more critical.

***Note on placement of Essex Controller:** The Essex Model 265 controller is too large to fit in the Model 100 or Model 200 rough in box. It is recommended that the controller be placed in the equipment room. This 22 gauge 12 conductor cable (to connect the keypad to the controller) is recommended for a maximum of 250'. For longer distances, increase the wire gauge.

NOTE: The use of 2 Cat 5 cables is not recommended. Use 22 gauge 12 conductor. 22/12 is stocked by Holovision

Options: Model 400-S12 does not require this 12 conductor cable. See Model 400.

Prewire for Models 101-VIO2, 107-VIO2



NOTE:
Wires shown in red are the minimum required
Wires shown in blue are recommended

Note: If VIO2 is used to activate the strike, the strike will relieve 12 VDC. If AC is required for the strike, a separate pair of wires should be supplied.

***Note on placement of Essex Controller:** The Essex Model 265 controller is too large to fit in the Model 100 or Model 200 rough in box. It is recommended that the controller be placed in the equipment room. This 22 gauge 12 conductor cable (to connect the keypad to the controller) is recommended for a maximum of 250'. For longer distances, increase the wire gauge.
NOTE: The use of 2 Cat 5 cables is not recommended. Use 22 gauge 12 conductor. 22/12 is stocked by Holovision

Options: Model 400-S12 does not require this 12 conductor cable. See Model 400.

Door Station Rough-in

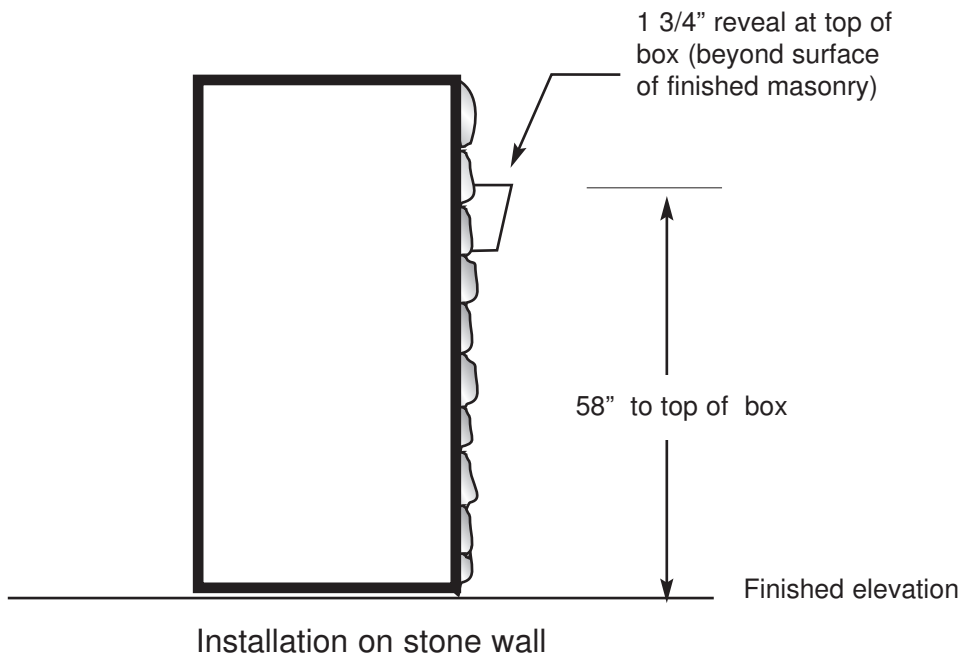
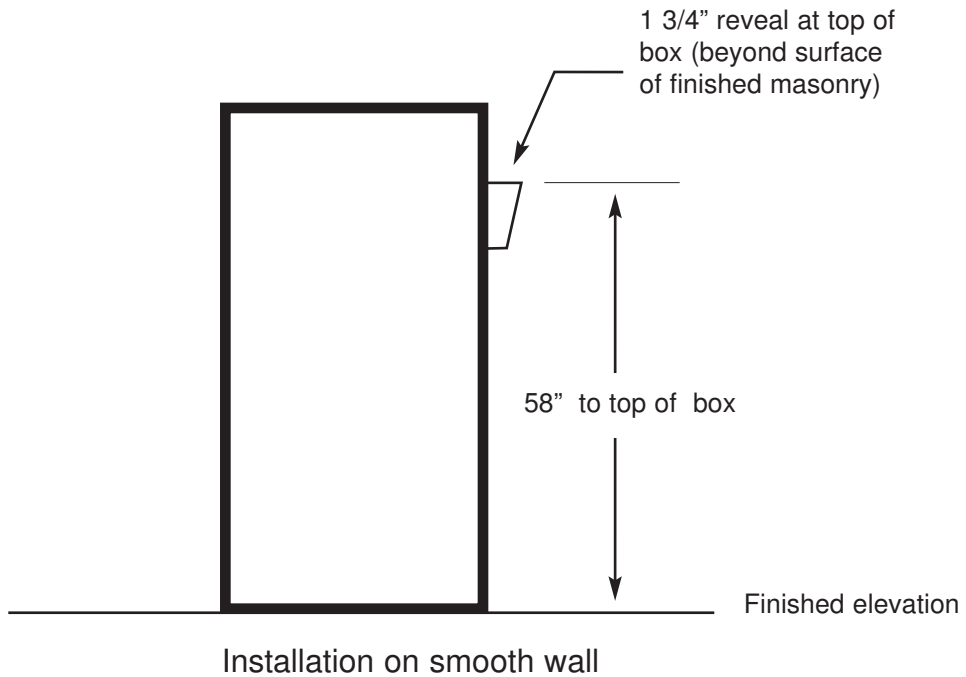
Model 101, 107



50"

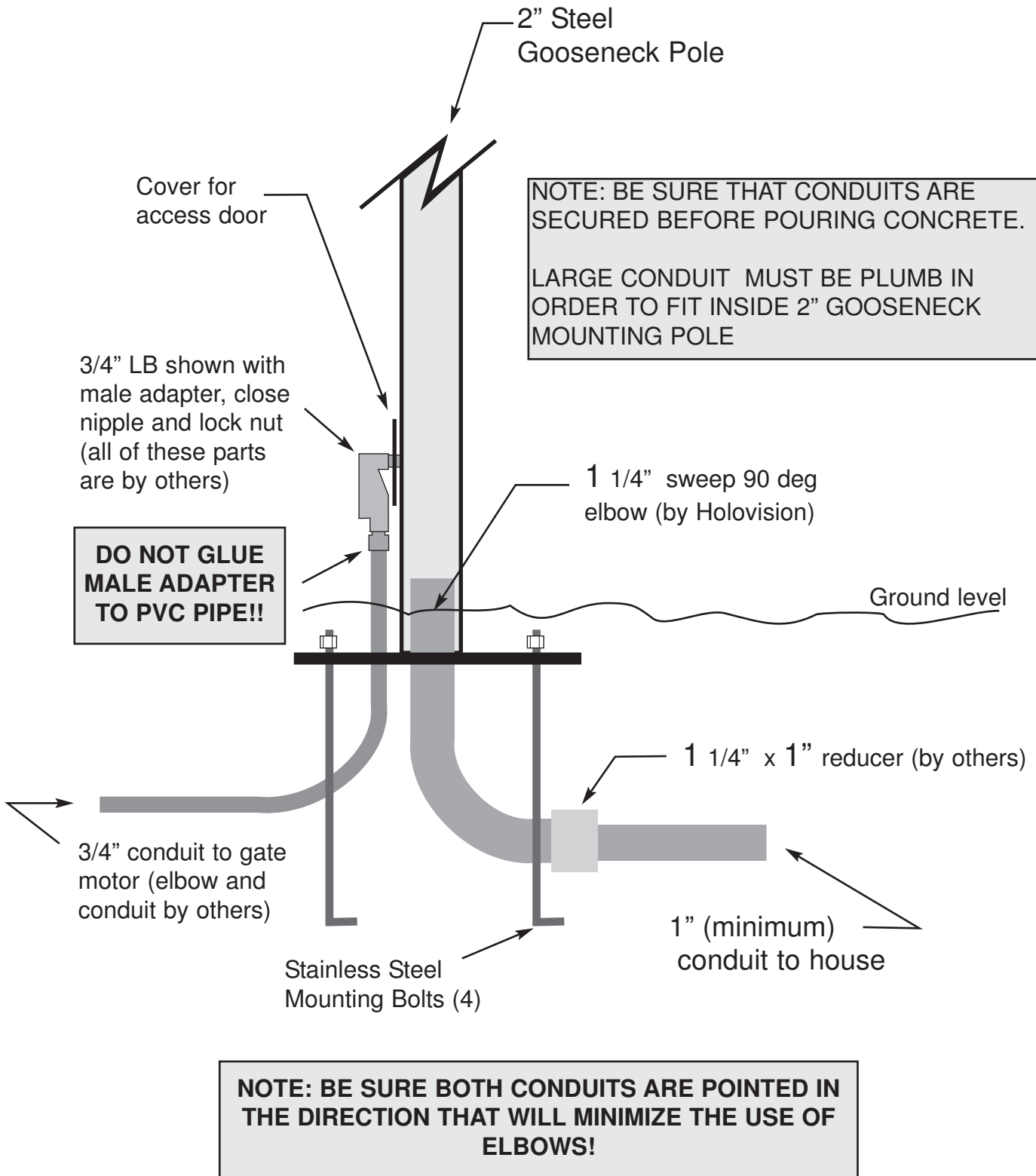
NOTE: All dimensions given are relative to "finished" surface, not rough grade.

Installation Details - 300 and 600 Series

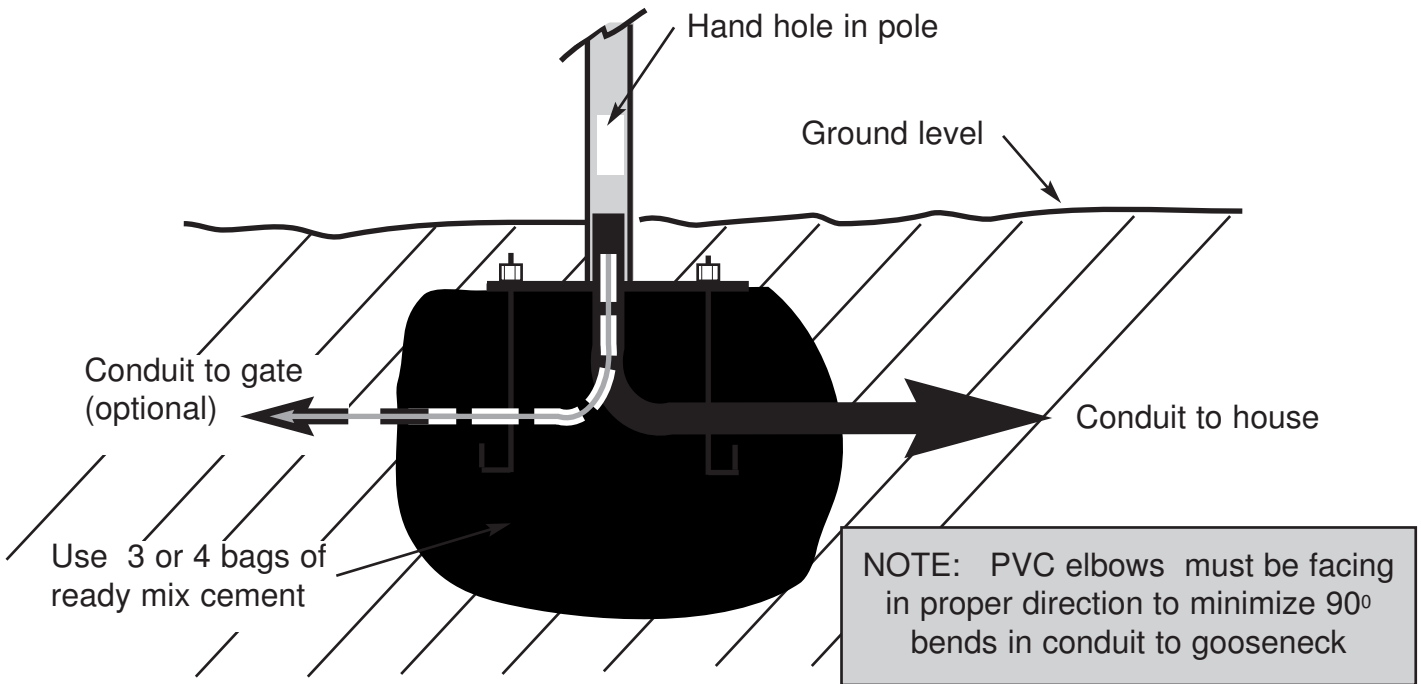
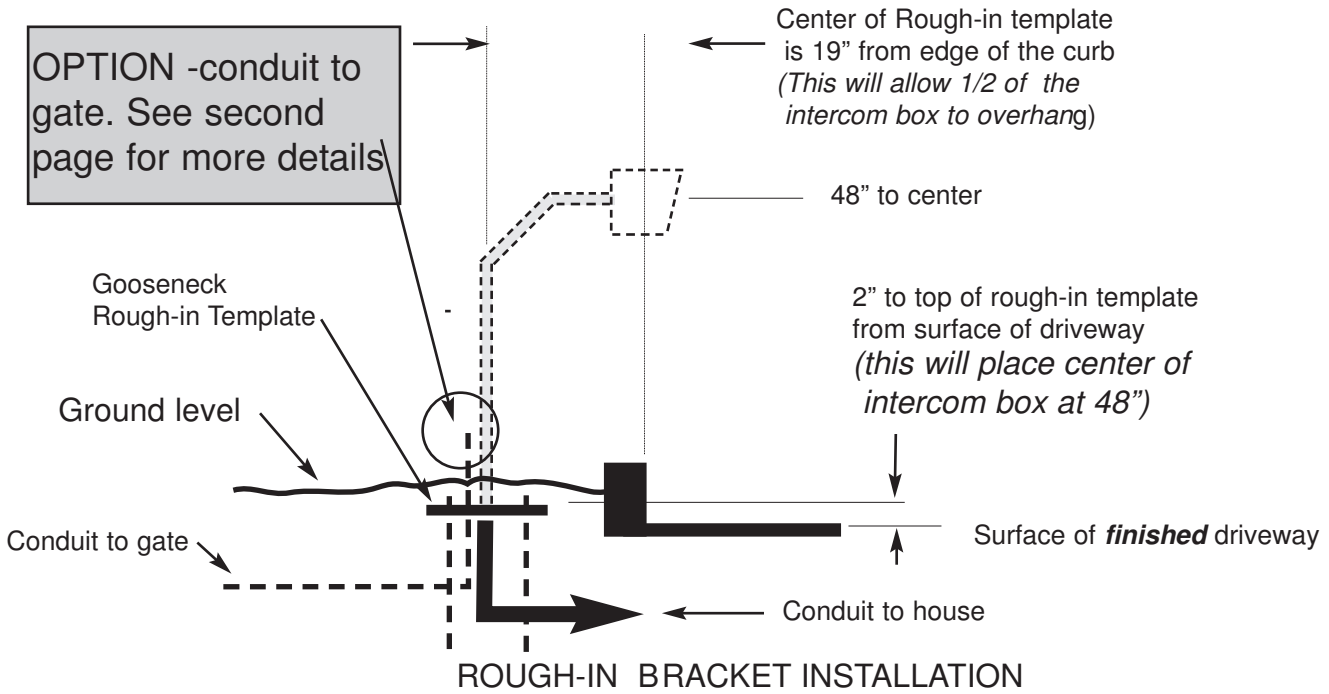


Installation Details - 2 Piece Gooseneck

Optional application with 2 conduits



Installation Details - 2 Piece Gooseneck



DETAIL OF ATTACHMENT OF POLE ONTO BASE