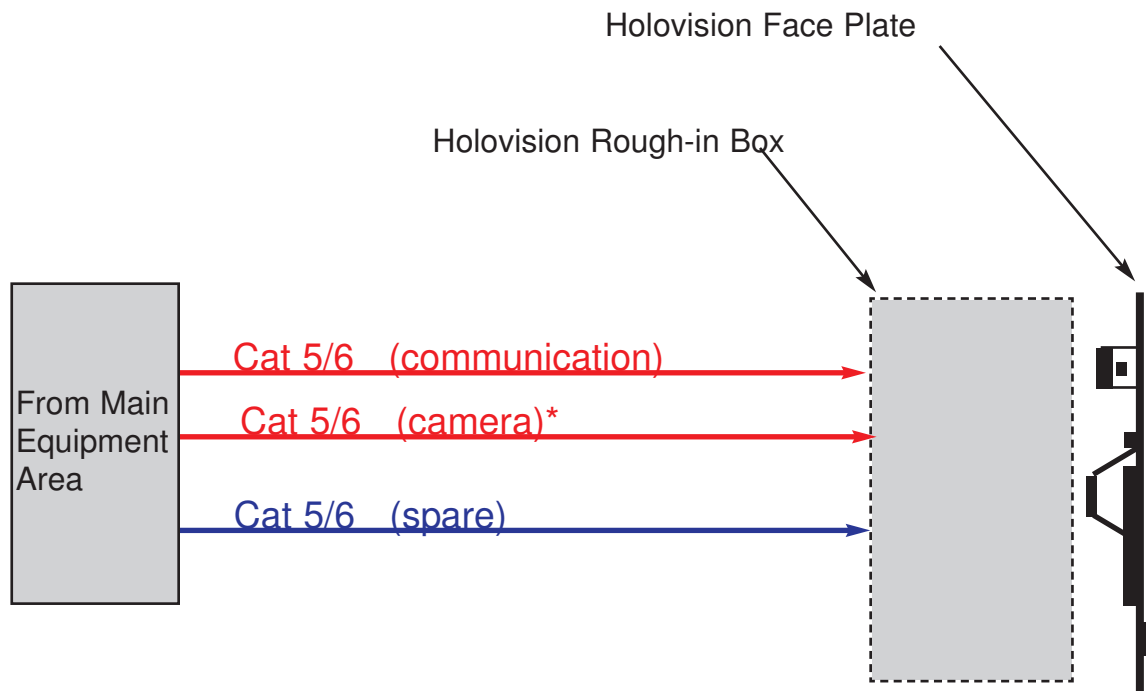


Prewire for Models 102, 200, 202, 303, 413, 414, 423, 424, 505, 506, 509

Prewire for all "Pan", "TES2", "Vik", "Elan", etc.



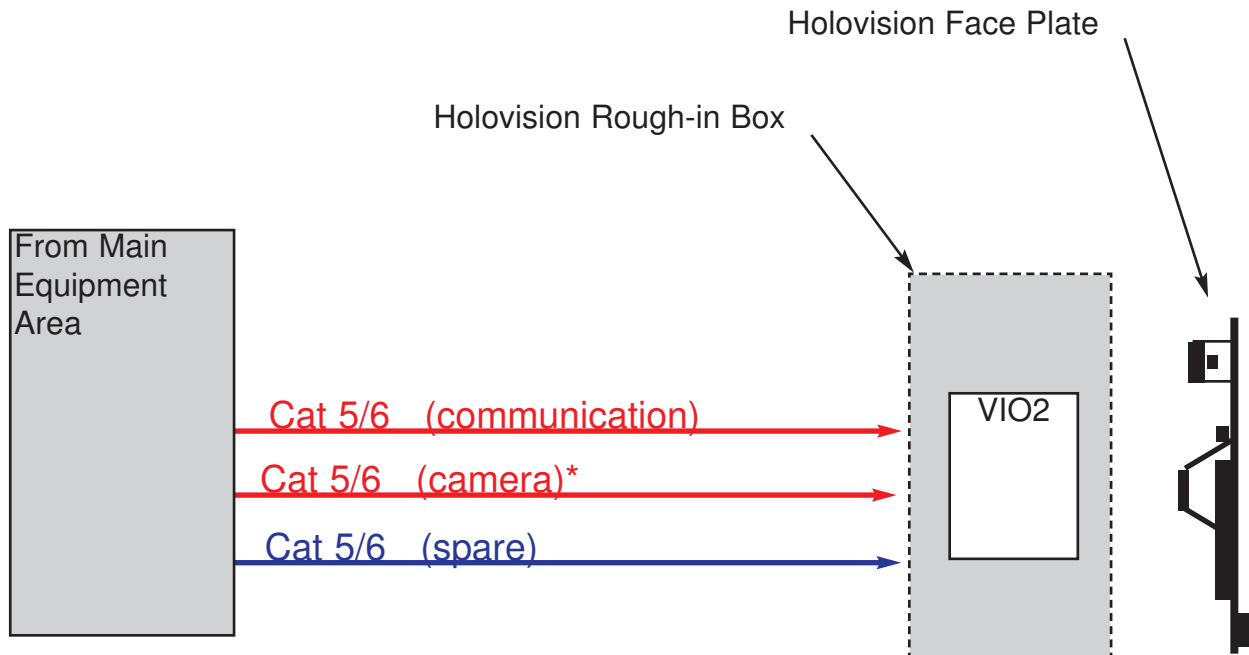
NOTE:
Wires shown in red are the minimum required

Wires shown in blue are recommended

Note on Camera Cable : Use one Cat5 cable for Video if balun is used (Holovision P/N 9107)

Or use Coax + Low voltage Power.

Prewire for Model 200-VIO2, 202-VIO2



NOTE:
Wires shown in red are the minimum required

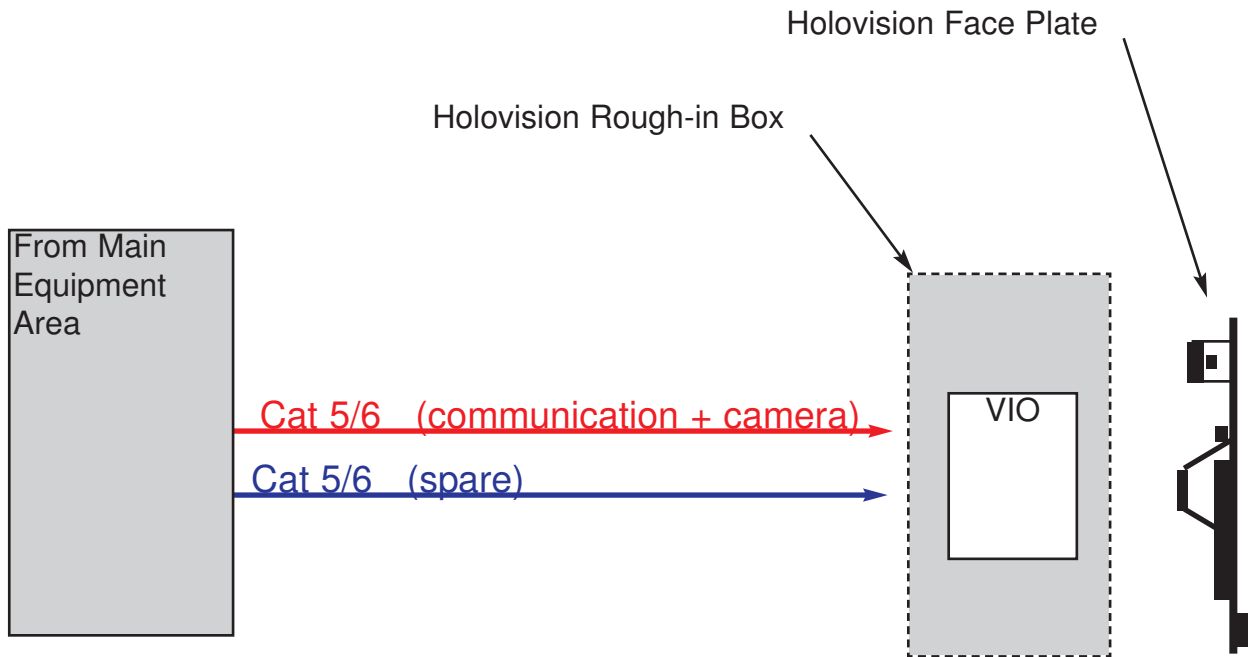
Wires shown in blue are recommended

Note on Camera Cable : Use one Cat5
cable for Video if balun is used
(HoloVision P/N 9107)

Or use Coax + Low voltage Power.

Prewire for Models 413, 414, 423, 424

Prewire VIO



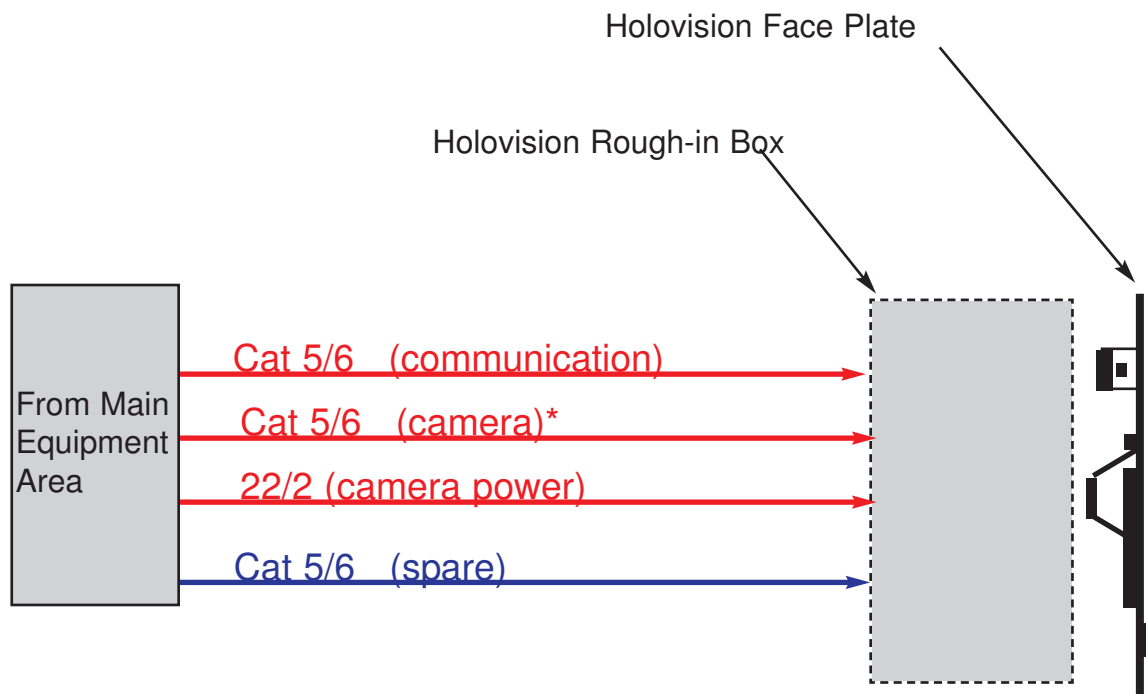
NOTE:

Wires shown in red are the minimum required

Wires shown in blue are recommended

Prewire for Models 408, 409, 509

Prewire for all “Pan”, “TES2”, “Vik”, “Elan”, etc.

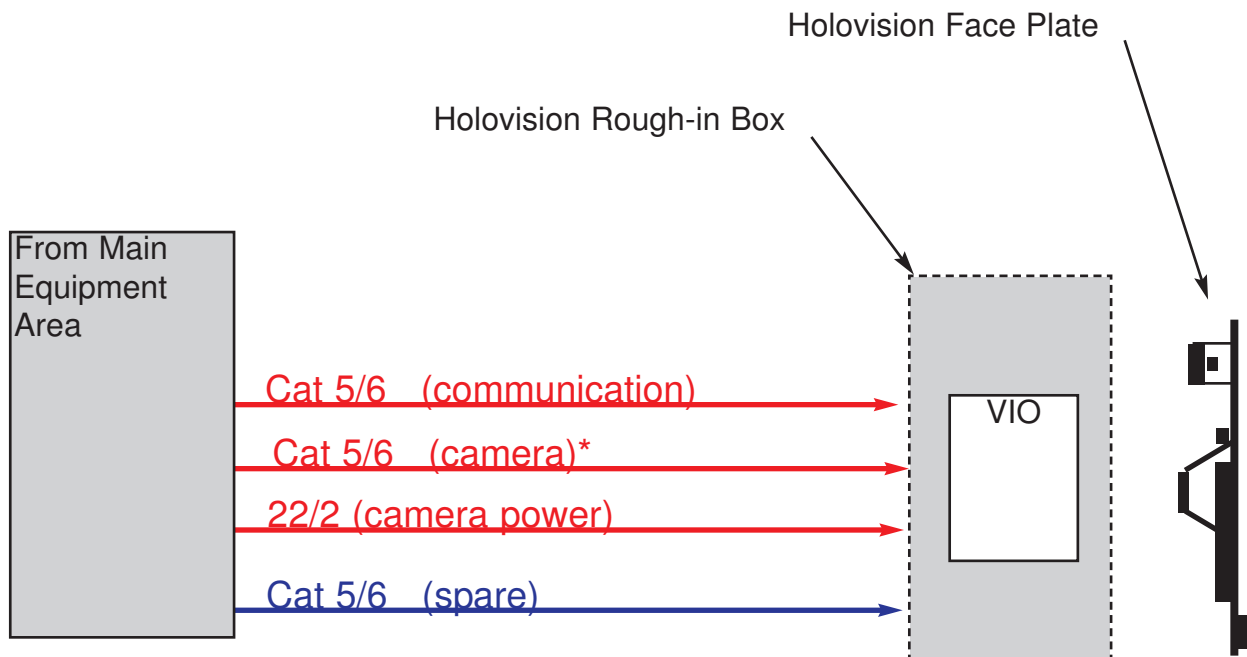


NOTE:
Wires shown in red are the minimum required
Wires shown in blue are recommended

Note on Camera Cable : Use one Cat5 cable for Video if balun is used (Holovision P/N 9107)
Or use Coax + Low voltage Power.

Prewire for Models 408, 409

Prewire VIO



NOTE:

Wires shown in red are the minimum required

Wires shown in blue are recommended

Door Station Rough-in

Model 102



62"

Model 200, 202, 413, 414, 505, 506

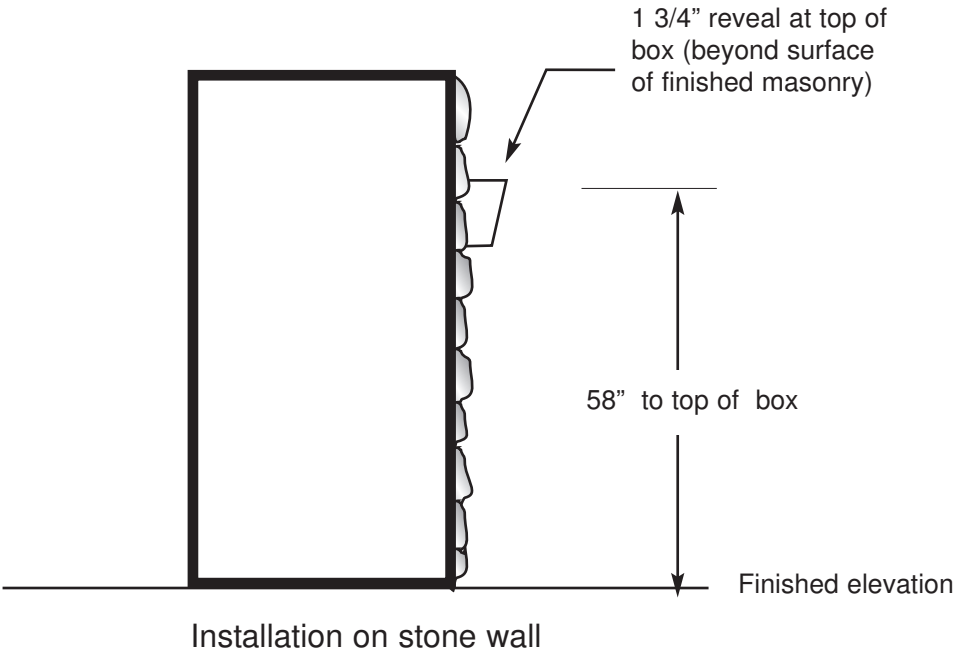
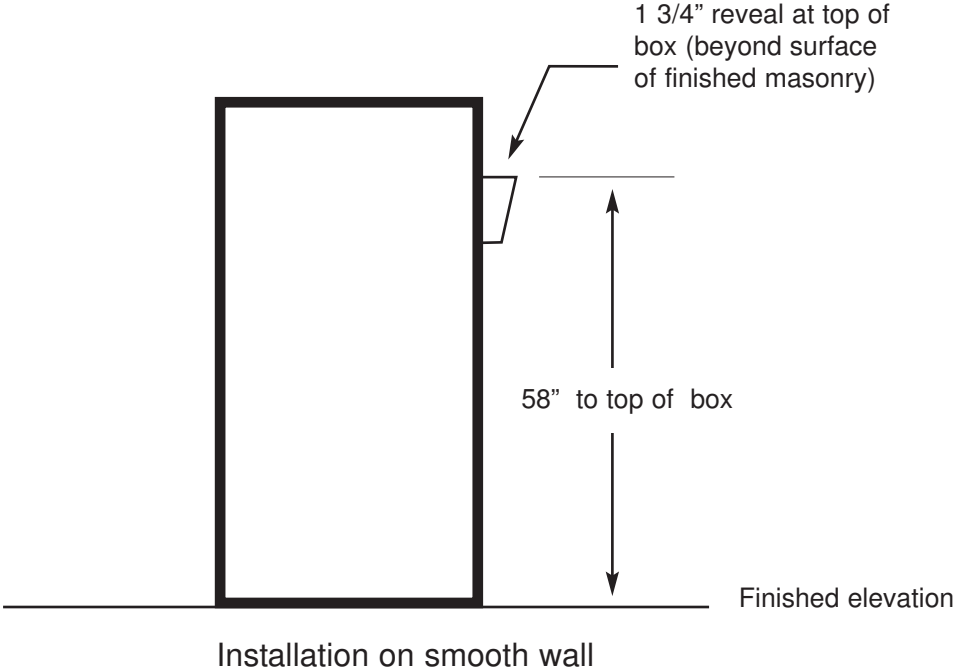


58"

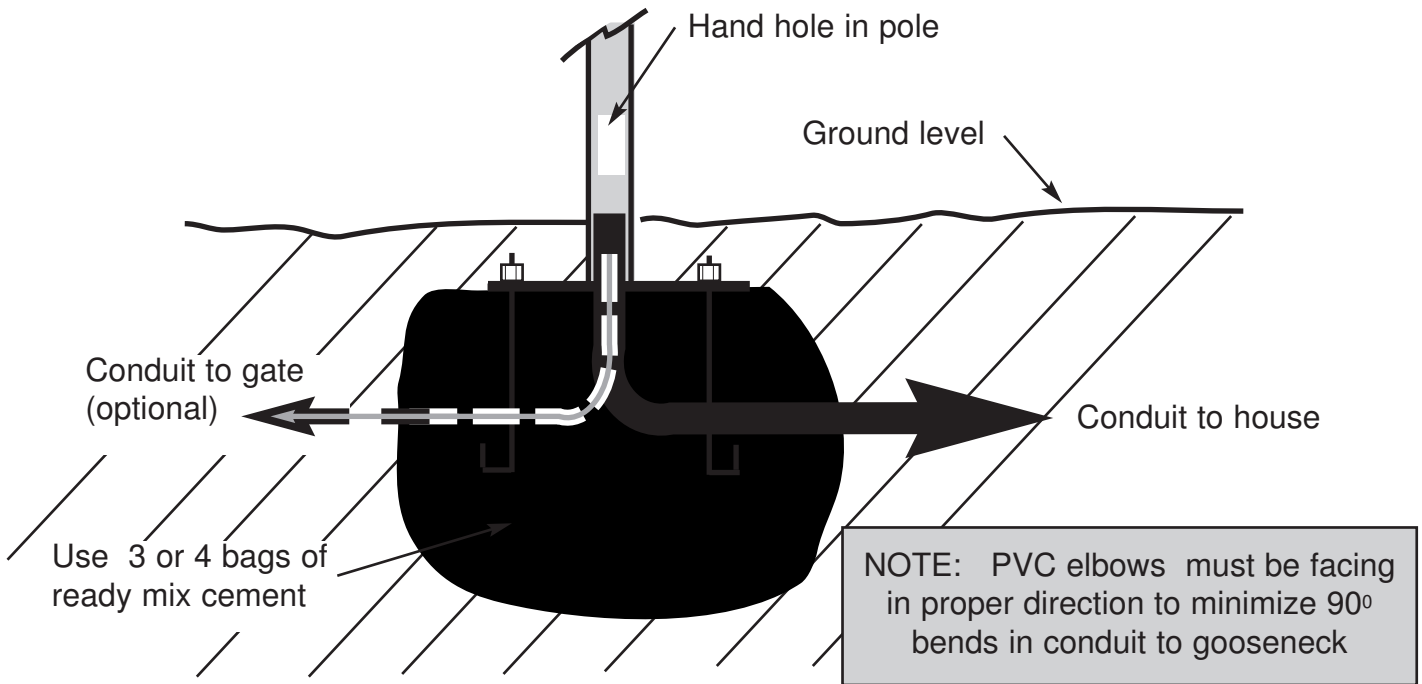
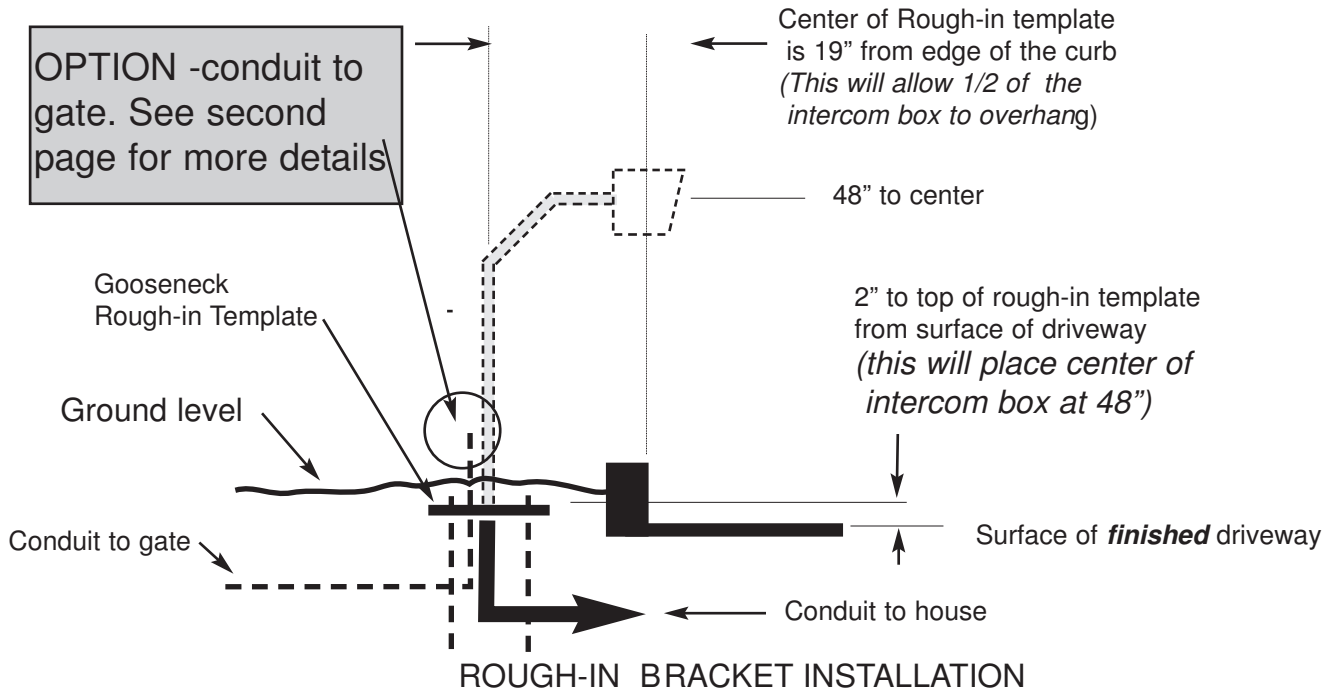
NOTE: All dimensions given are relative to "finished" surface, not rough grade.



Installation Details - 300 and 600 Series



Installation Details - 2 Piece Gooseneck



DETAIL OF ATTACHMENT OF POLE ONTO BASE

Installation Details - 2 Piece Gooseneck

Optional application with 2 conduits

