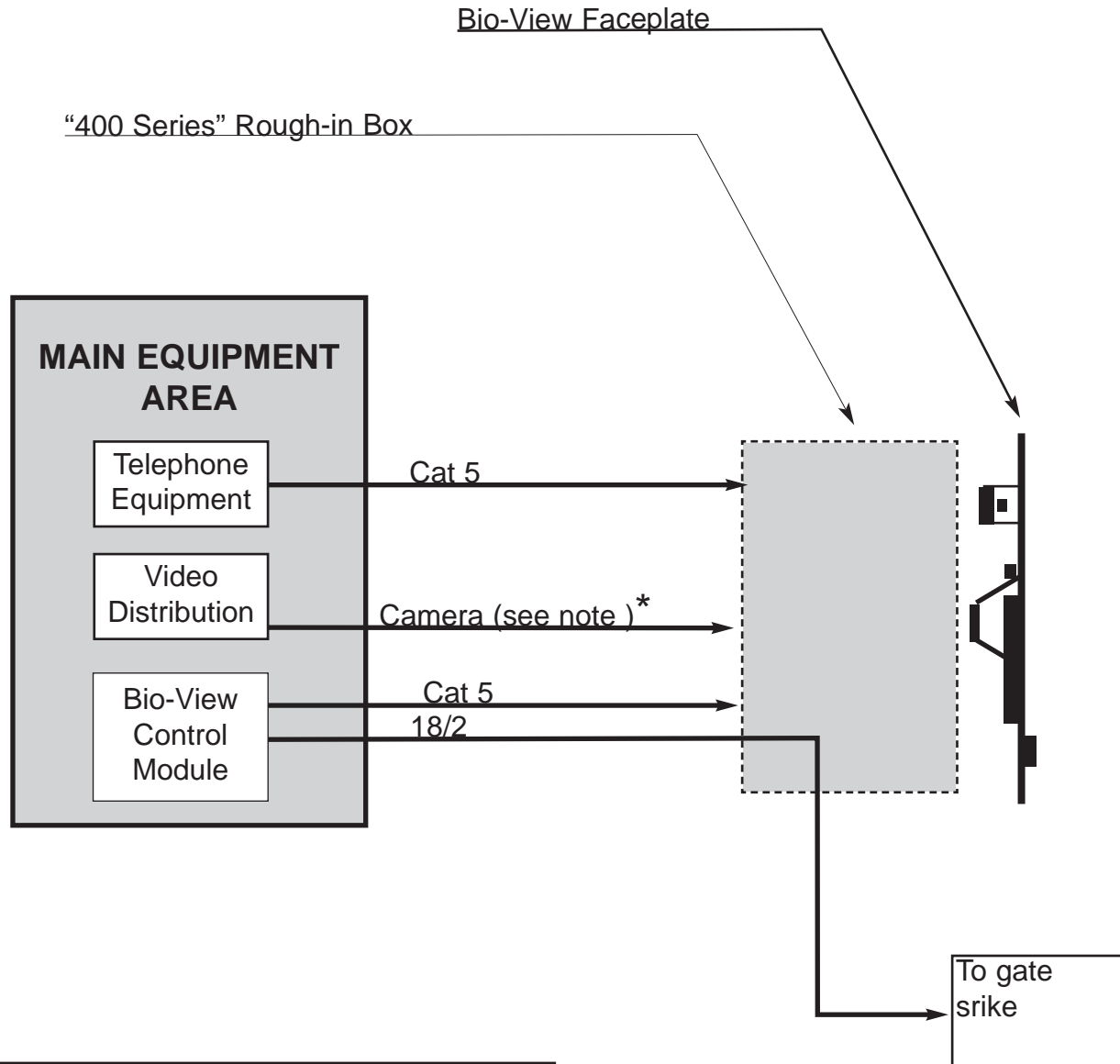


Bio-View Prewire

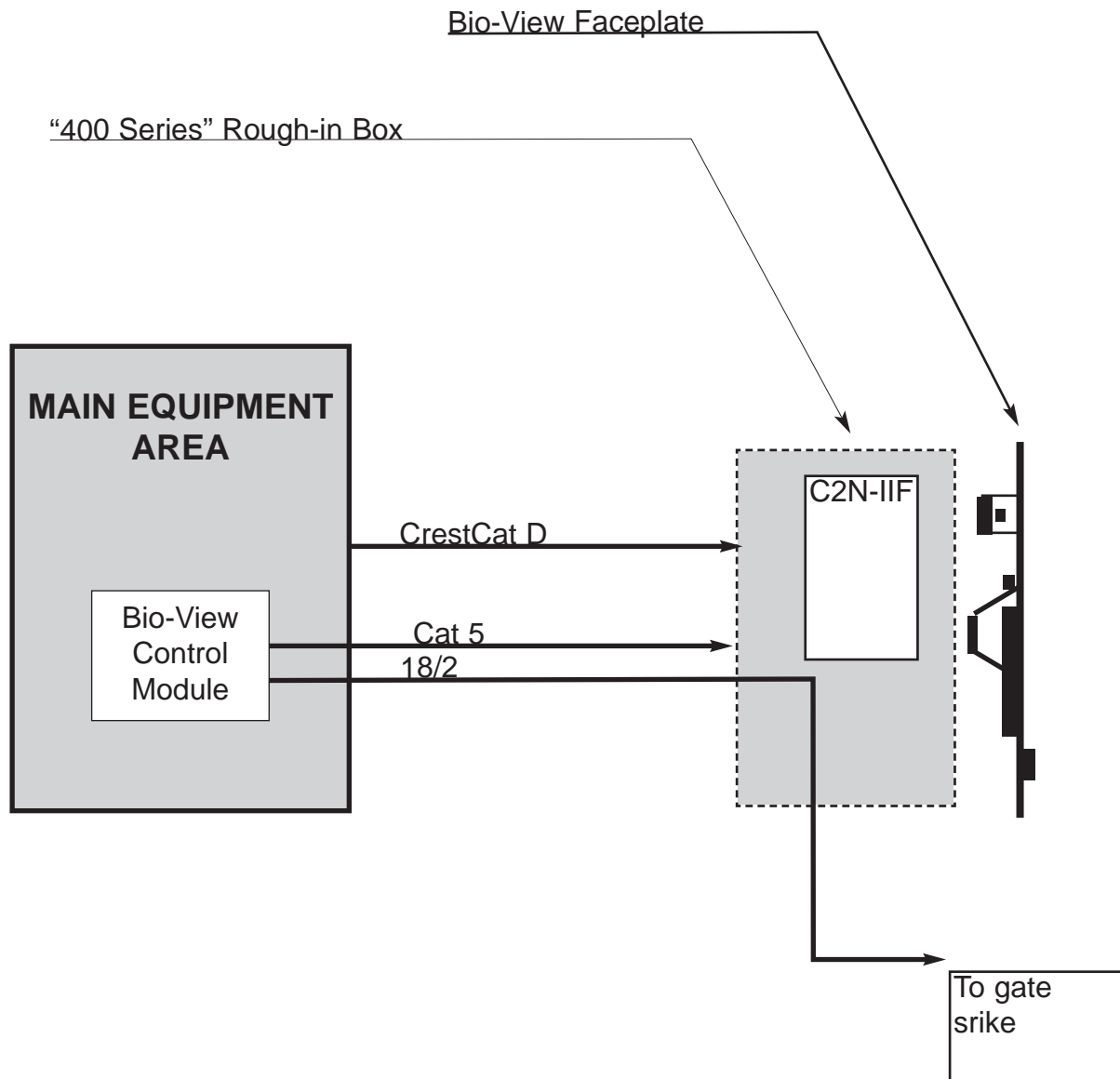
For Panasonic, Viking, and Telephone Entry System (TES)



Note on Camera Cable : Use one Cat5 cable for Video if balun is used (Holovision P/N 9107)
Or use Coax + Low voltage Power.

Bio-View Prewire

For Crestron C2N-IIF

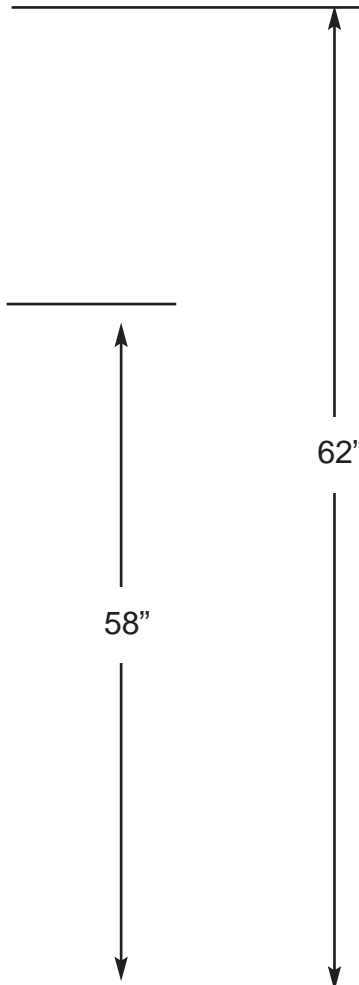


Biometric Rough-in

Model 520

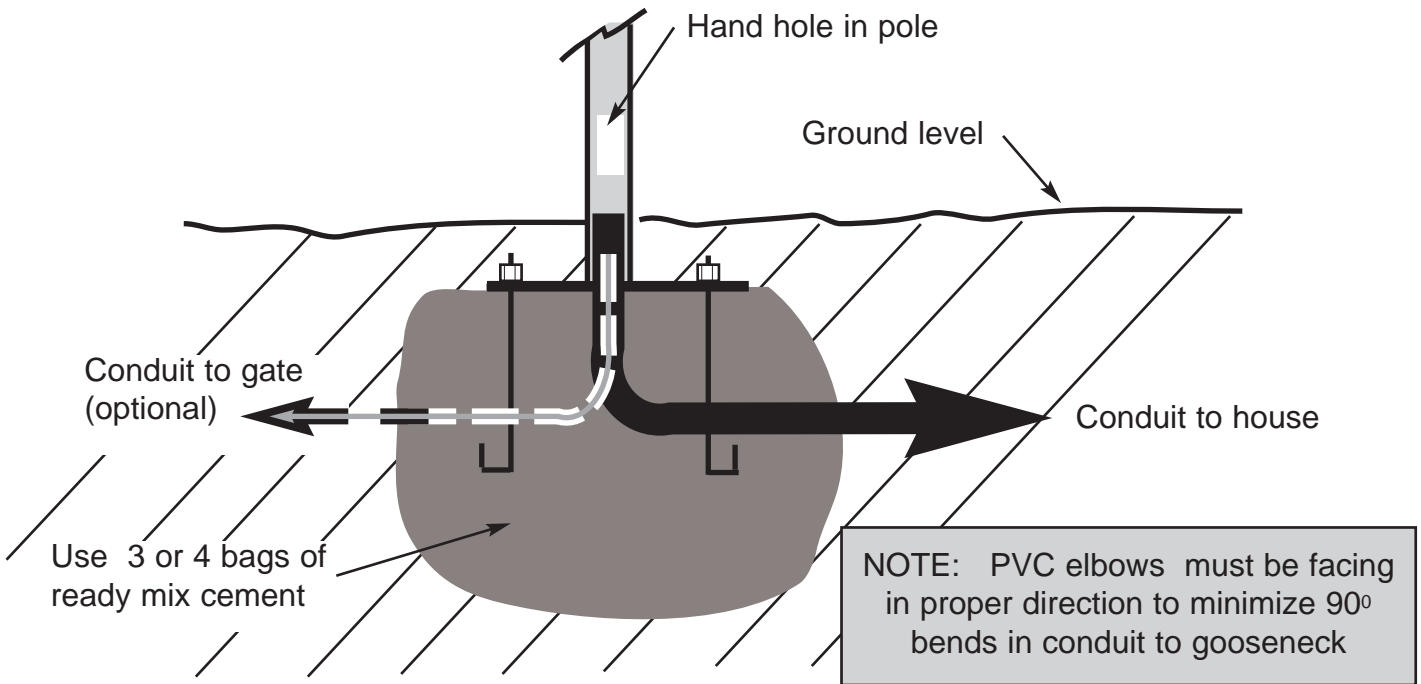
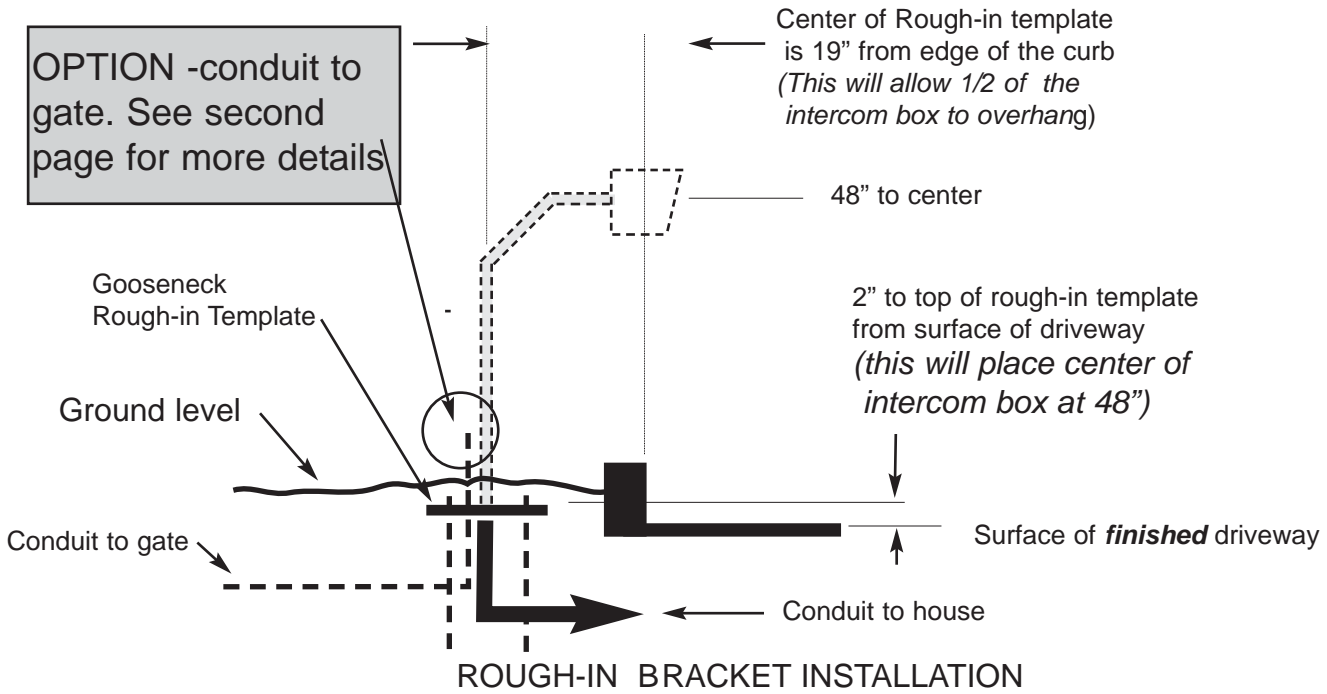


Model 402



NOTE: All dimensions given are relative to "finished" surface, not rough grade.

Installation Details - 2 Piece Gooseneck



DETAIL OF ATTACHMENT OF POLE ONTO BASE

Installation Details - 2 Piece Gooseneck

Optional application with 2 conduits

