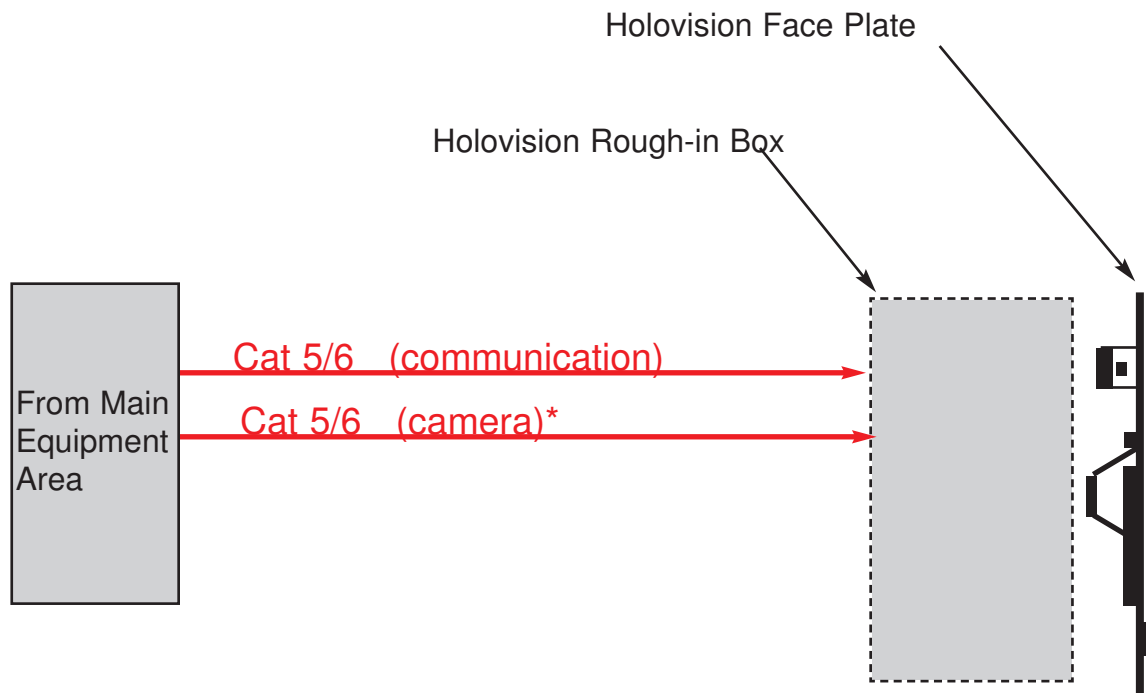


# Prewire for Models 102, 200, 202, 303, 505, 506

Prewire for all "Pan", "TES2", "Vik", "Elan", "Mitel", etc.

---

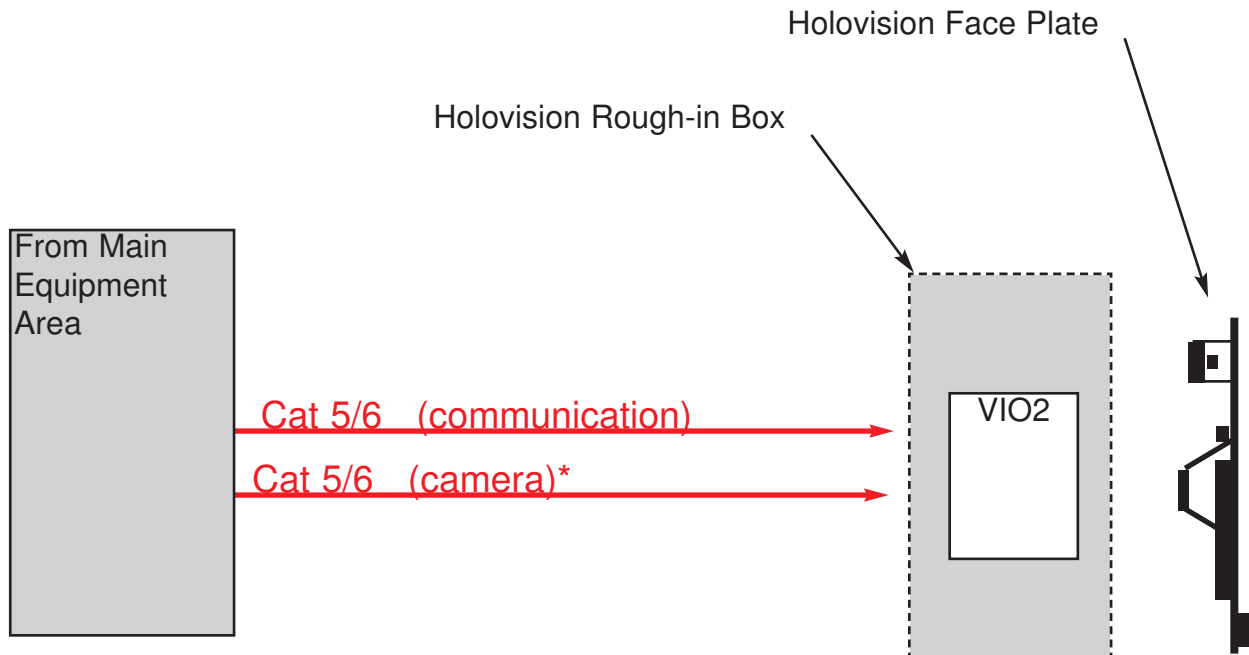


**NOTE:**  
Wires shown in red are the minimum required

Note on Camera Cable : Use one Cat5 cable for Video if balun is used (Holovision P/N 9107)

Or use Coax + Low voltage Power.

# Prewire for Model 200-VIO2, 202-VIO2



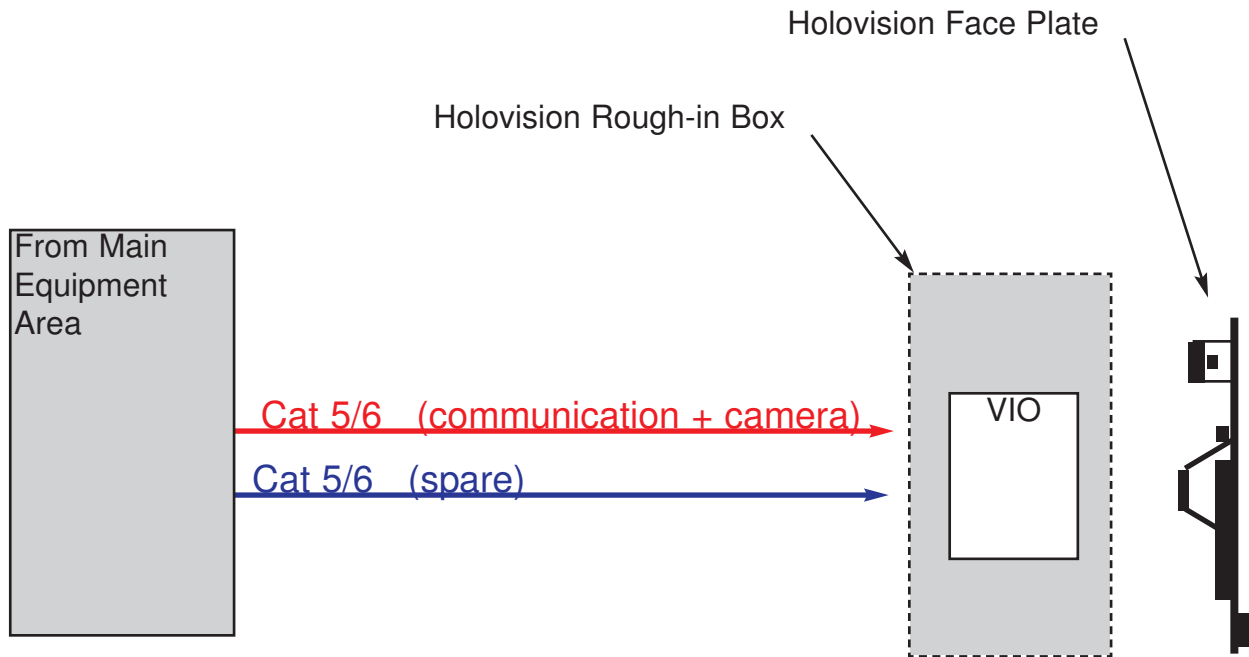
**NOTE:**  
Wires shown in red are the minimum required

Note on Camera Cable : Use one Cat5  
cable for Video if balun is used  
(HoloVision P/N 9107)

Or use Coax + Low voltage Power.

# Prewire for Model 303-VIO, 413-VIO, 414-VIO, 423-VIO, 424-VIO

---



**NOTE:**

Wires shown in red are the minimum required

Wires shown in blue are optional

# Door Station Rough-in

---

Model 102



62"

Model 200, 202, 413, 414, 505, 506



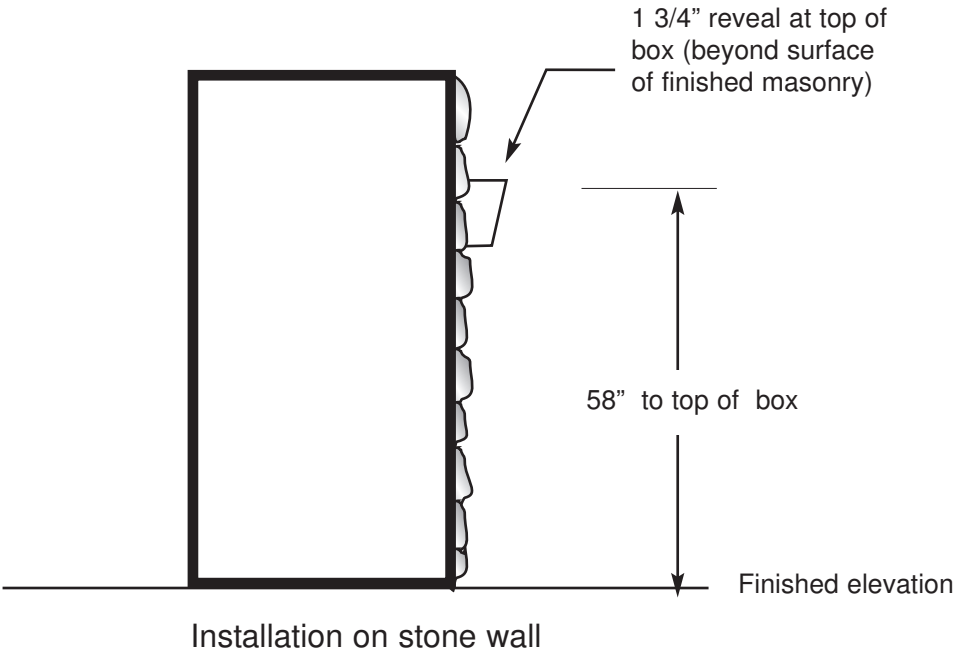
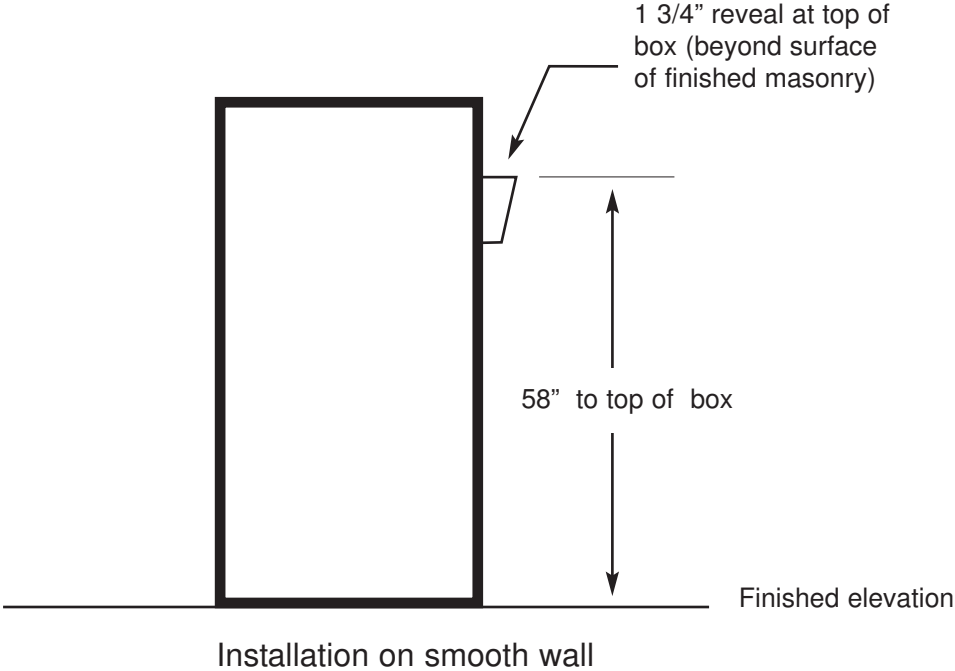
58"

NOTE: All dimensions given are relative to "finished" surface, not rough grade.

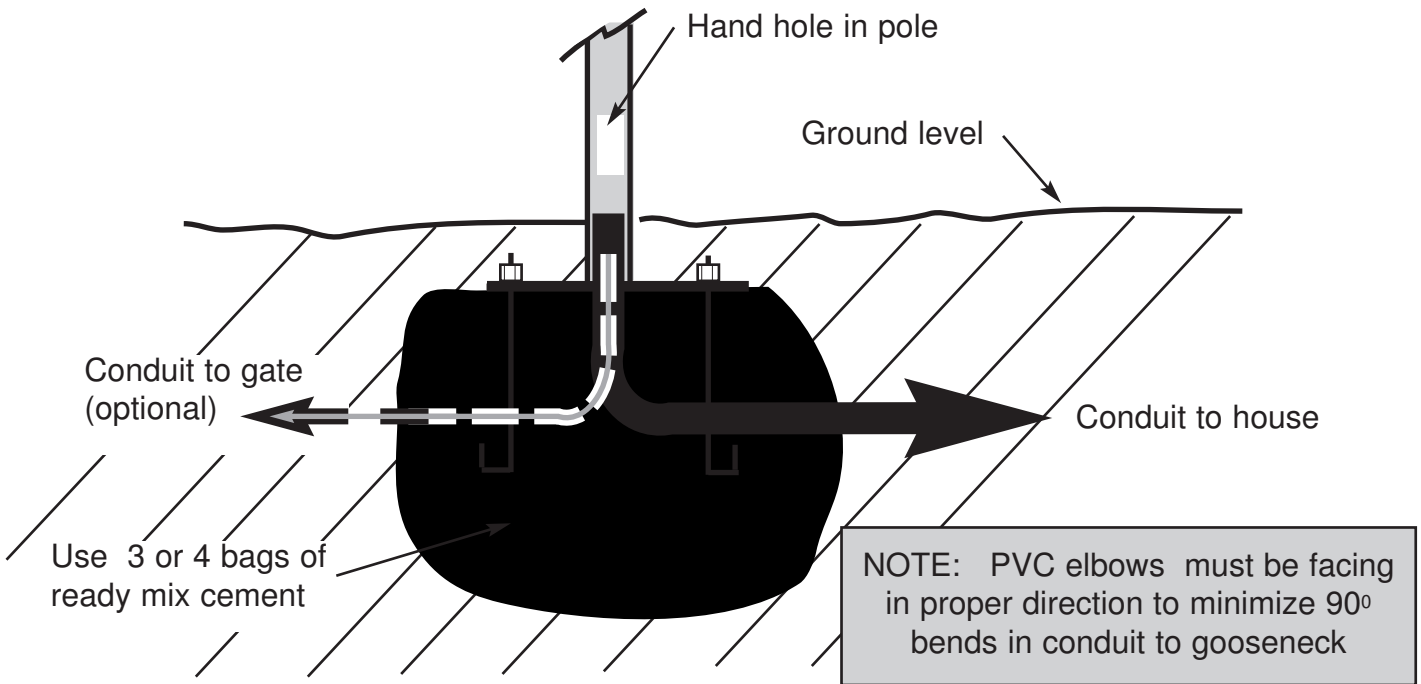
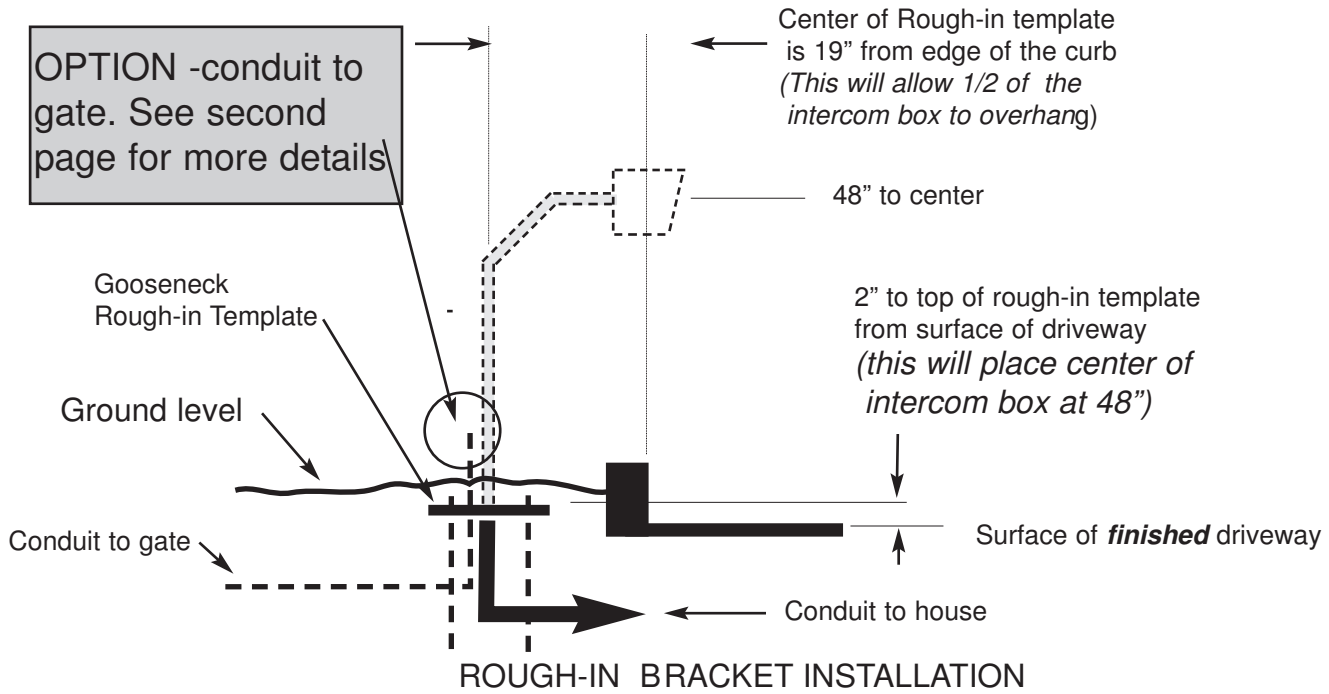


# Installation Details - 300 and 600 Series

---



# Installation Details - 2 Piece Gooseneck



DETAIL OF ATTACHMENT OF POLE ONTO BASE

# Installation Details - 2 Piece Gooseneck

Optional application with 2 conduits

