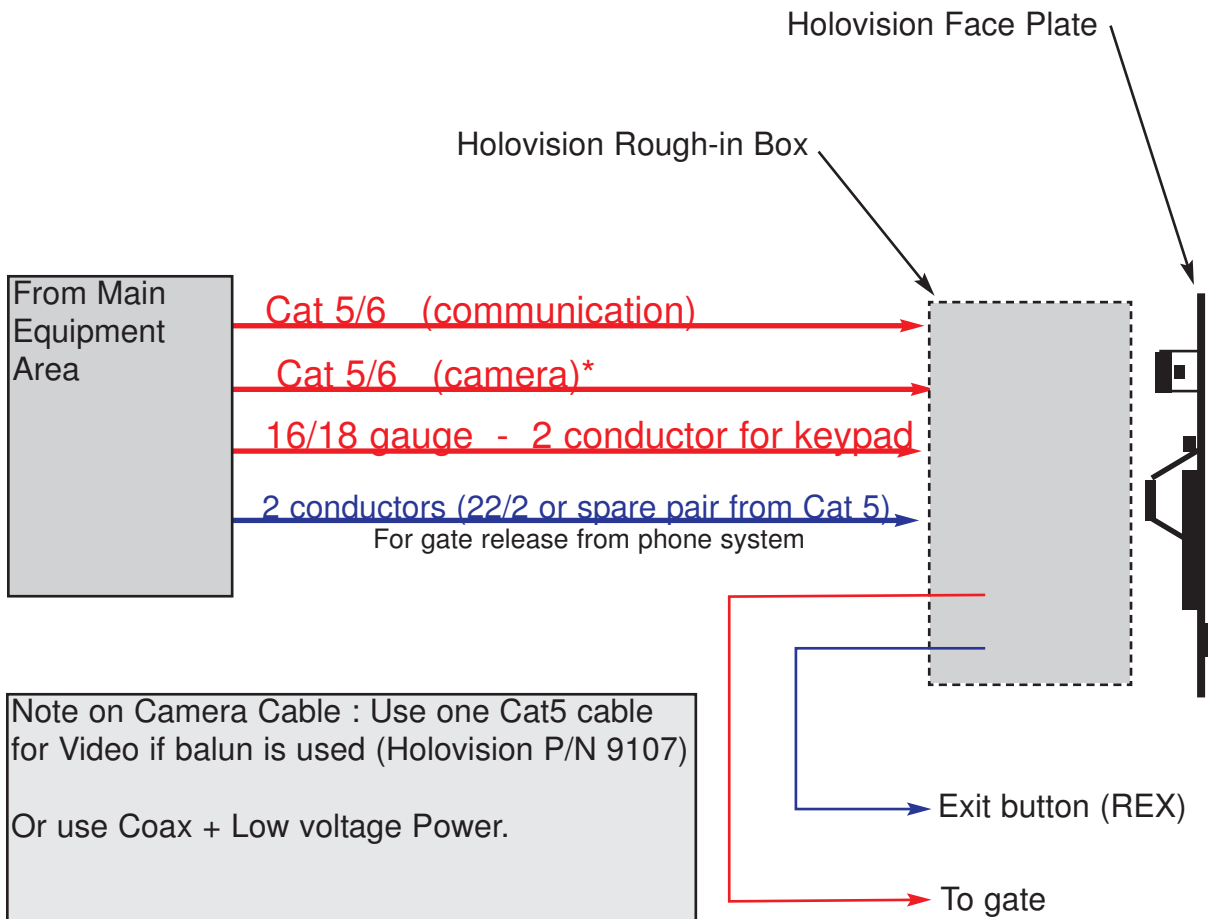


Prewire for Models 304-S12, 401-S12, 411-S12, 412-S12

Prewire for all "Pan", "TES", "Vik", "Elan", etc.



NOTE:

Wires shown in red are the minimum required

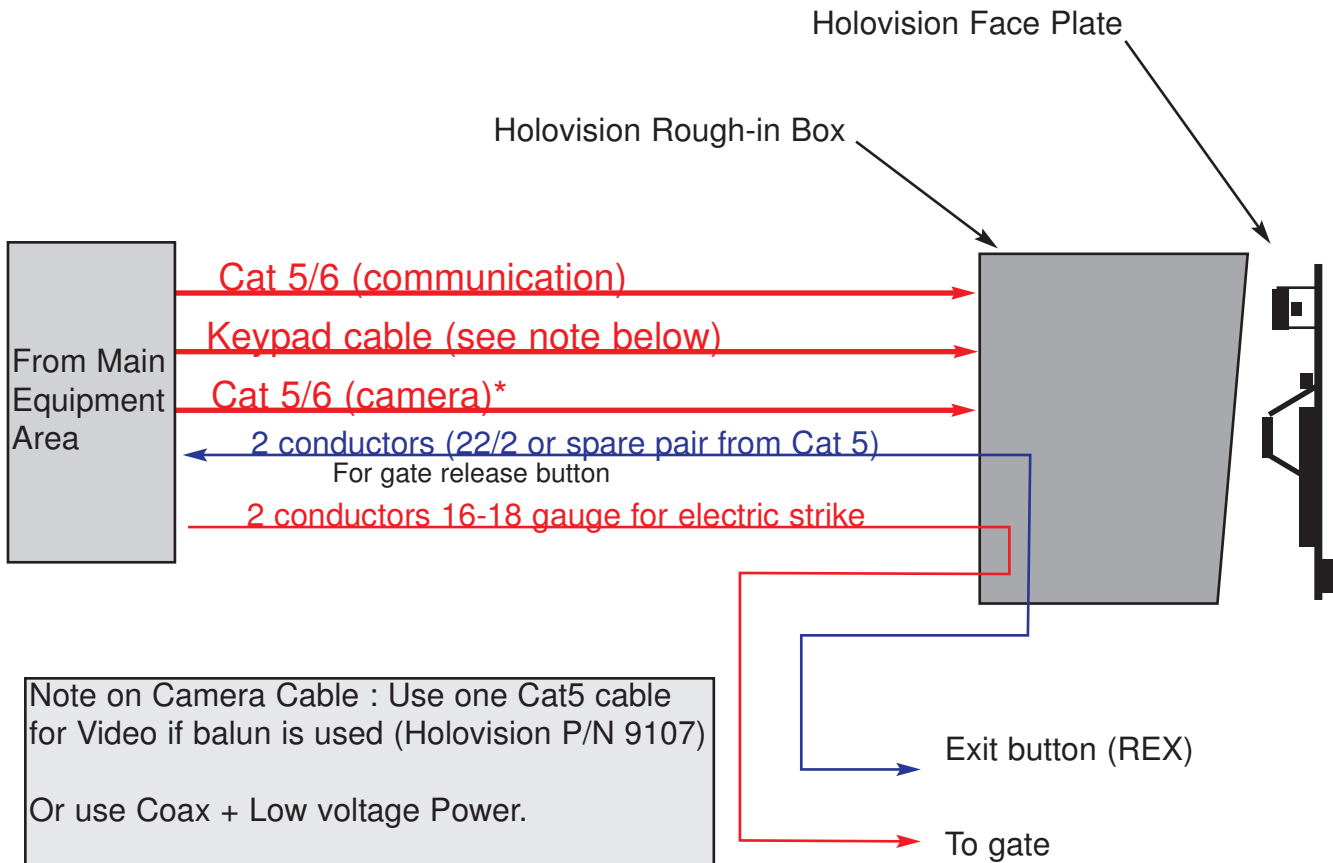
Wires shown in blue are optional

Wire for gate release from phone system is required, but it can be a spare pair from Cat5/6

NOTE: Low voltage cable requirements include:

1. Telephone relay out - wires from phone system to gates (drive gate and pedestrian gate)
2. Release button (exit button)
3. 2 conductors 16/18 gauge for electric strike

Prewire for Model 304-A, 304-W, 401-A, 401-W



NOTE:
Wires shown in red are the minimum required
Wires shown in blue are optional

Wiegand Keypads:

Cable Distance

Wiegand or Clock-and-Data interface: 500 feet

Recommended cable

Alpha 1295, Belden 5503FE 5 conductor, 22 AWG stranded with overall shield or equivalent

ASCII Keypads:

Cable Distance

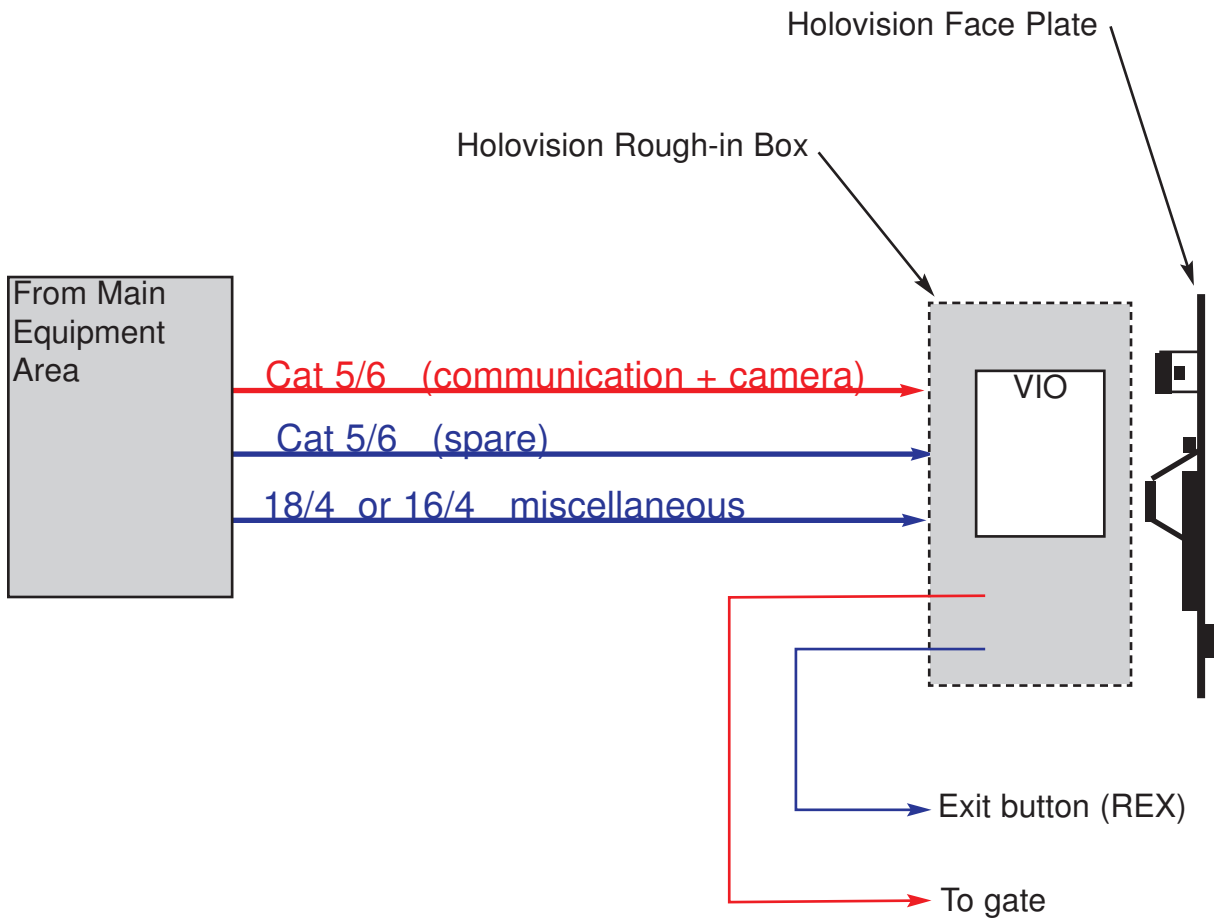
ASCII controller: 500 feet

Recommended cable

Cat 5, Cat 6

Prewire for Models 304-S12, 401-S12, 411-S12, 412-S12

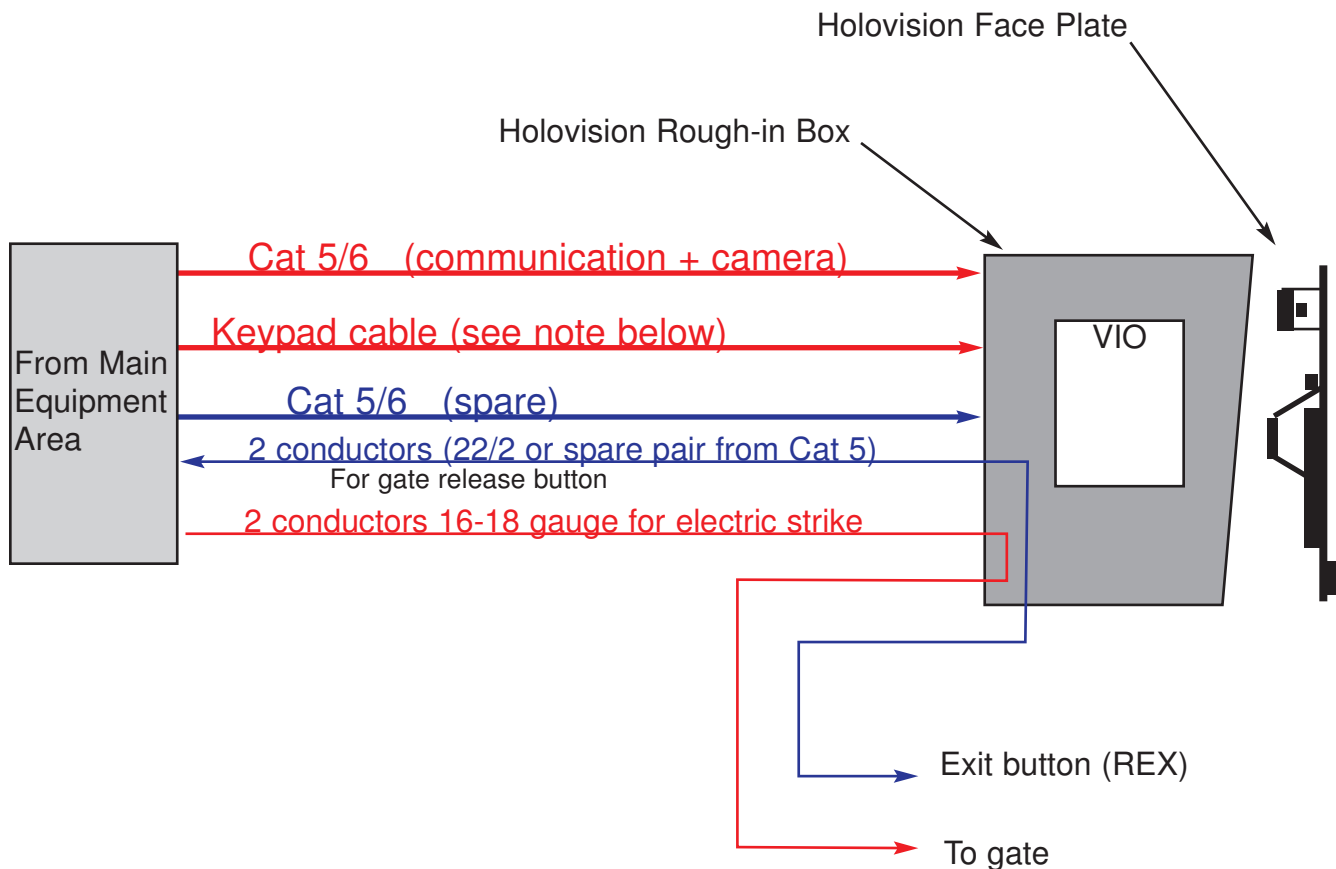
Prewire for VIO



NOTE:
Wires shown in red are the minimum required
Wires shown in blue are optional

Prewire for Model 304-A, 304-W, 401-A, 401-W

Prewire for VIO



NOTE:

Wires shown in red are the minimum required

Wires shown in blue are optional

Wiegand Keypads:

Cable Distance

Wiegand or Clock-and-Data interface: 500 feet

Recommended cable

Alpha 1295, Belden 5503FE 5 conductor, 22 AWG stranded with overall shield or equivalent

ASCII Keypads:

Cable Distance

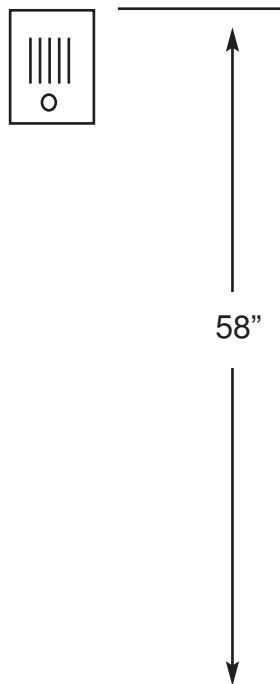
ASCII controller: 500 feet

Recommended cable

Cat 5, Cat 6

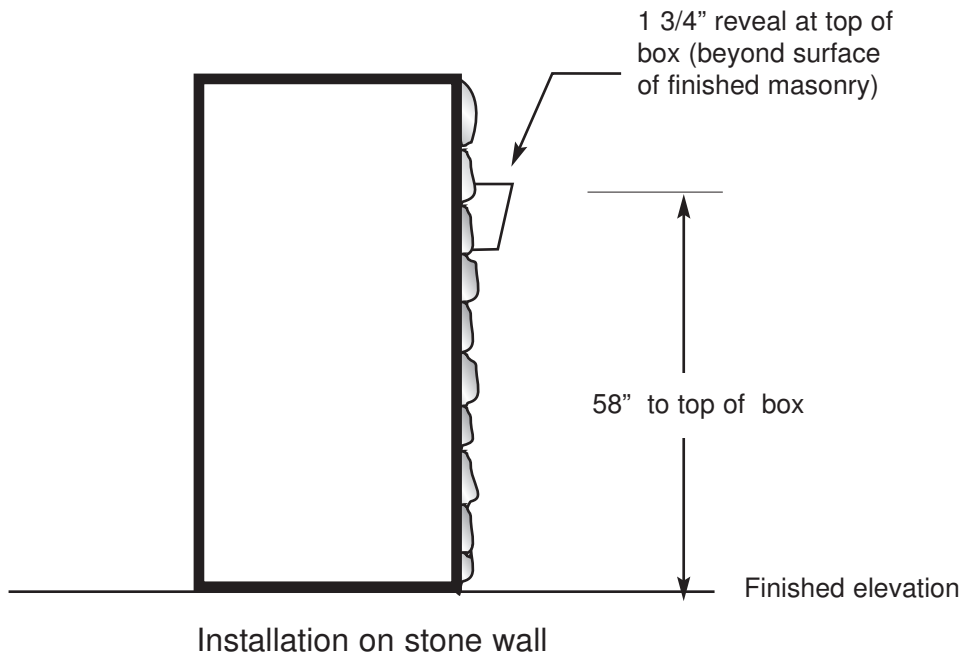
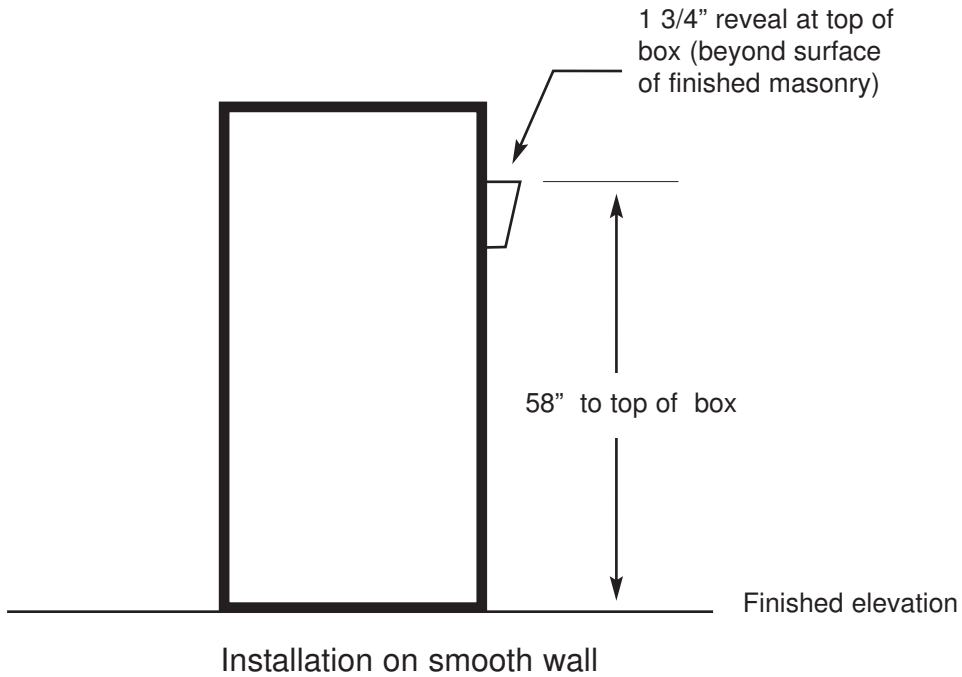
Door Station Rough-in

Model 201, 203, 401, 411, 412

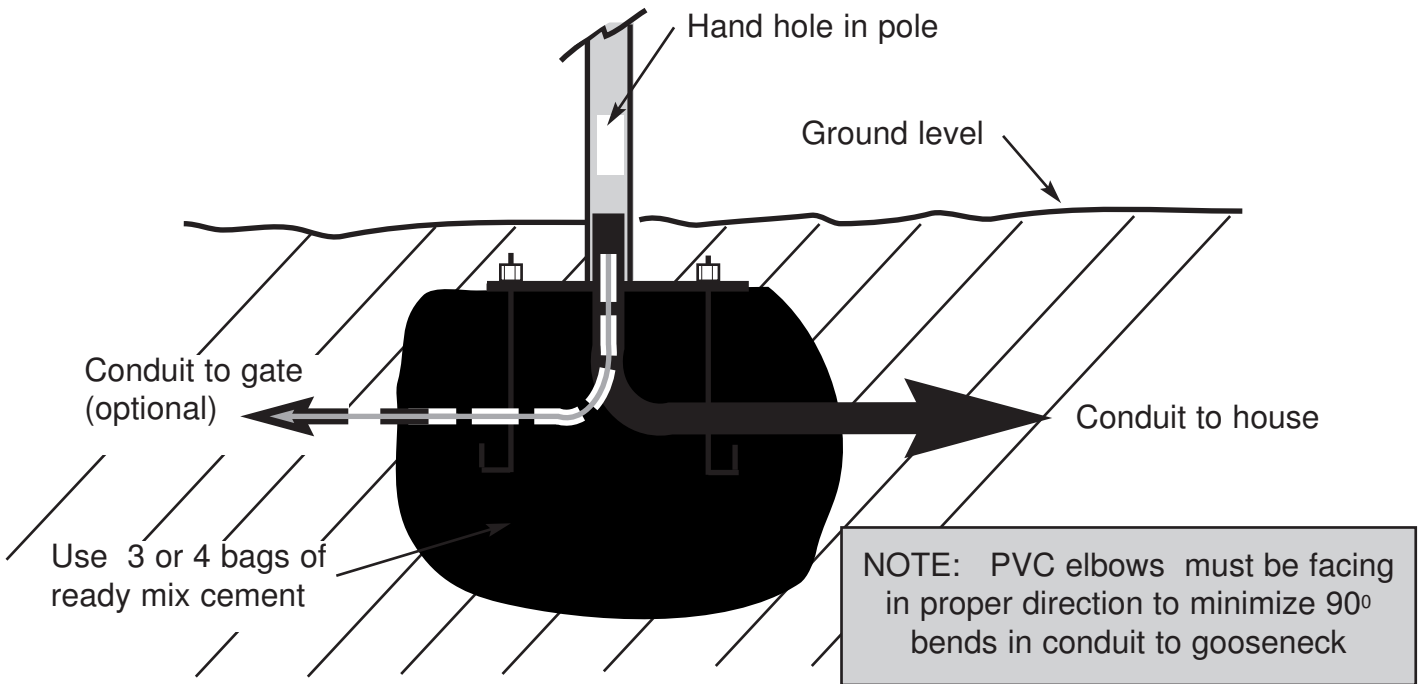
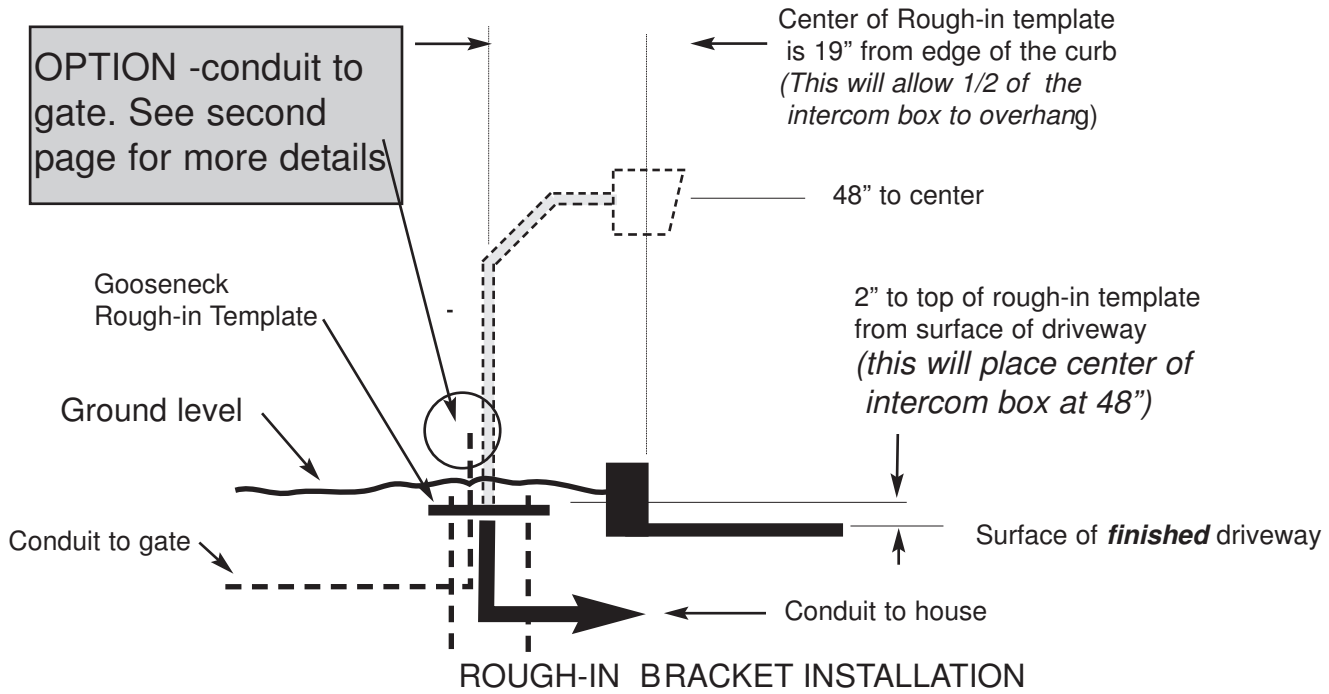


NOTE: All dimensions given are relative to "finished" surface, not rough grade.

Installation Details - 300 and 600 Series



Installation Details - 2 Piece Gooseneck



DETAIL OF ATTACHMENT OF POLE ONTO BASE

Installation Details - 2 Piece Gooseneck

Optional application with 2 conduits

