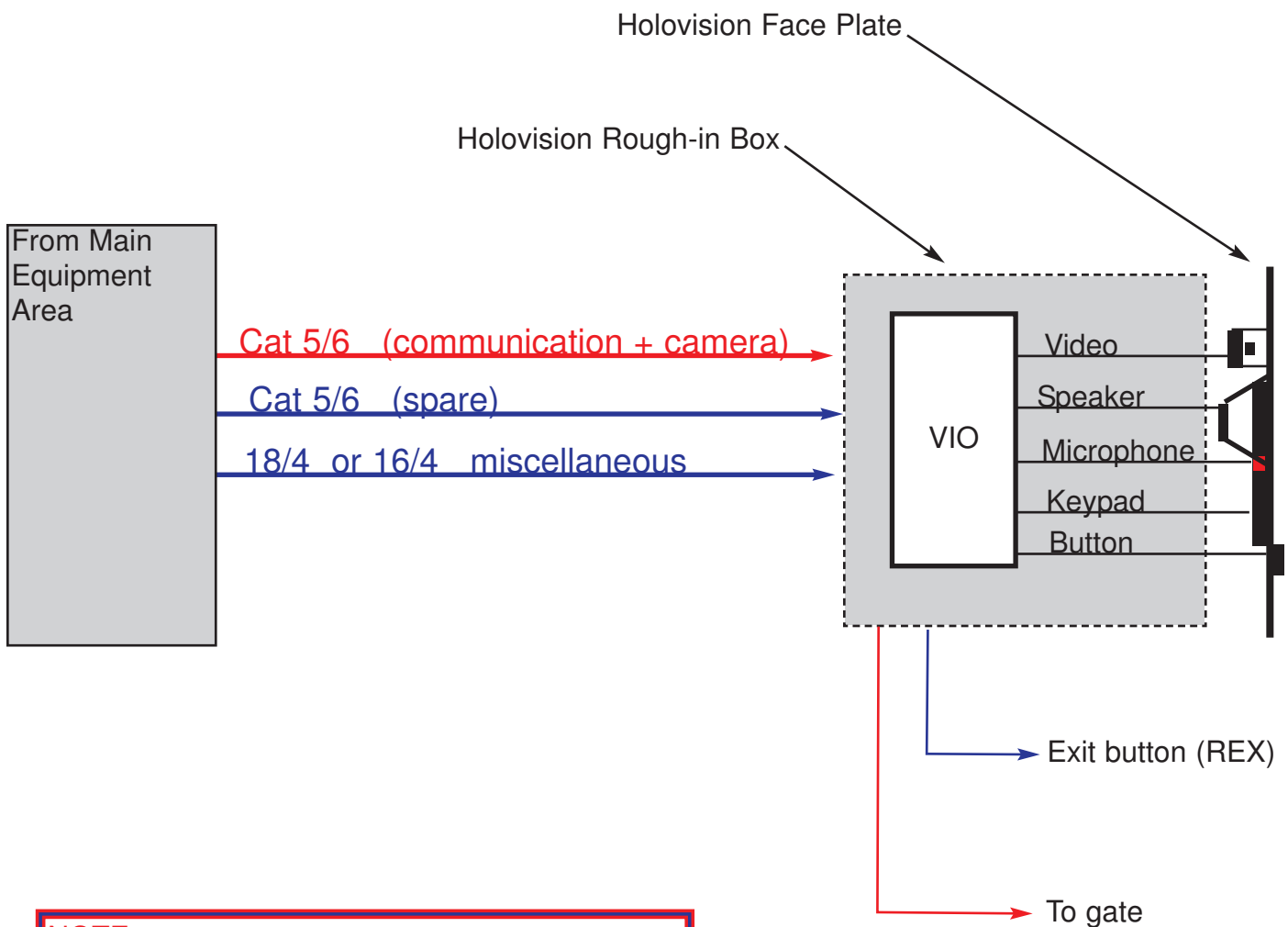


Prewire for 600, 700, 800, and 900 Series

For Models 600, 605, 607, 608, 700, 705, 707, 708, 800, 805, 900

For the following combinations: 6XX-S12-VIO, 7XX-S12-VIO, 8XX-S12-VIO and 9XX-S12-VIO

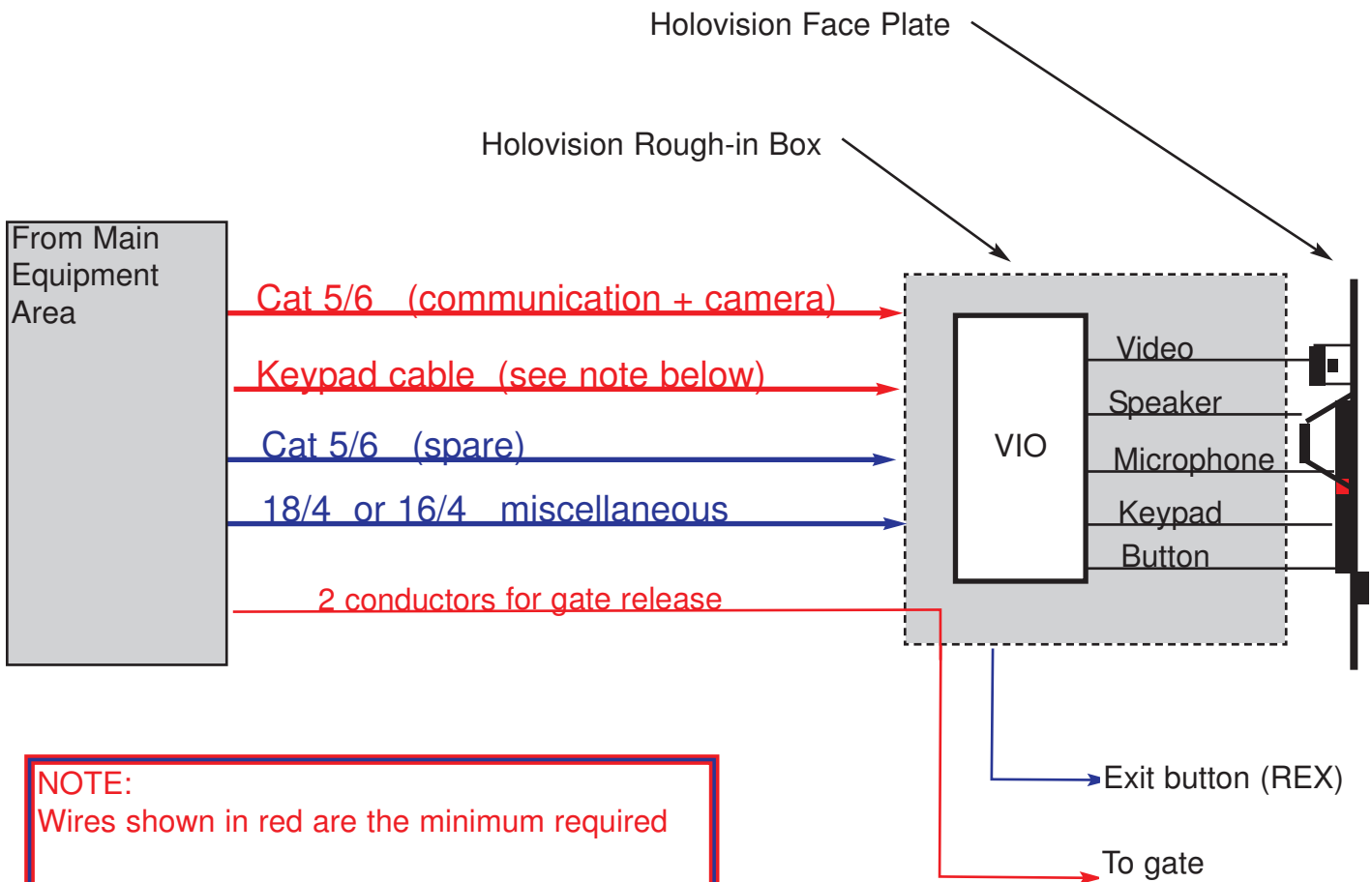


NOTE:
Wires shown in red are the minimum required
Wires shown in blue are recommended

Prewire for 600, 700, 800, and 900 Series

For Models 600, 602, 605, 607, 608, 700, 702, 705, 707, 708, 800, 805, 900

For the following combinations: 6XX-W-VIO, 7XX-W-VIO, 8XX-W-VIO and 9XX-W-VIO



NOTE:

Wires shown in red are the minimum required

Wires shown in blue are recommended

Wiegand Keypads:

Cable Distance

Wiegand or Clock-and-Data interface: 500 feet

Recommended cable

Alpha 1295, Belden 5504FE 6 conductor, 22 AWG stranded with overall shield or equivalent

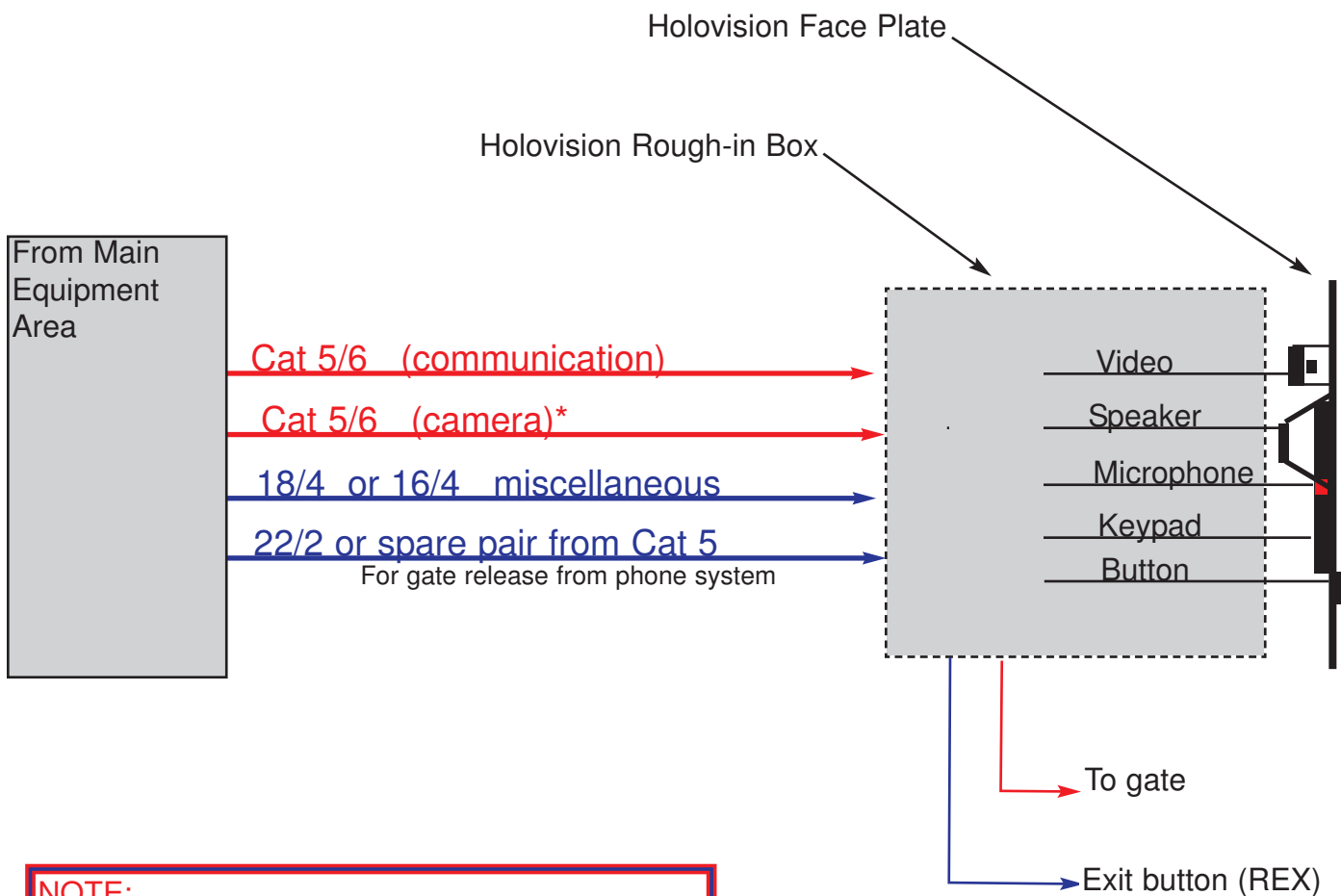
NOTE: Cat 5 / 6 cable for Wiegand keypad is NOT recommended if the controller is mounted at the HEAD END.

NOTE: regarding Infinias Wiegand controllers. Infinias Wiegand controllers are NOT intended to be mounted at the HEAD END. They are to be mounted locally (2 gang weather proof box or inside of Holovision rough-in box). If Infinias is mounted locally, the communication is Ethernet, and the correct cable is Cat 5/6. (100 meters maximum per IEEE 802.3ab).

Prewire for 600, 700, 800, and 900 Series

For Models 600, 602, 605, 607, 608, 700, 702, 705, 707, 708, 800, 805, 900

For the following combinations: 6XX-S12-VIK, 7XX-S12-VIK, 8XX-S12-VIK and 9XX-S12-VIK



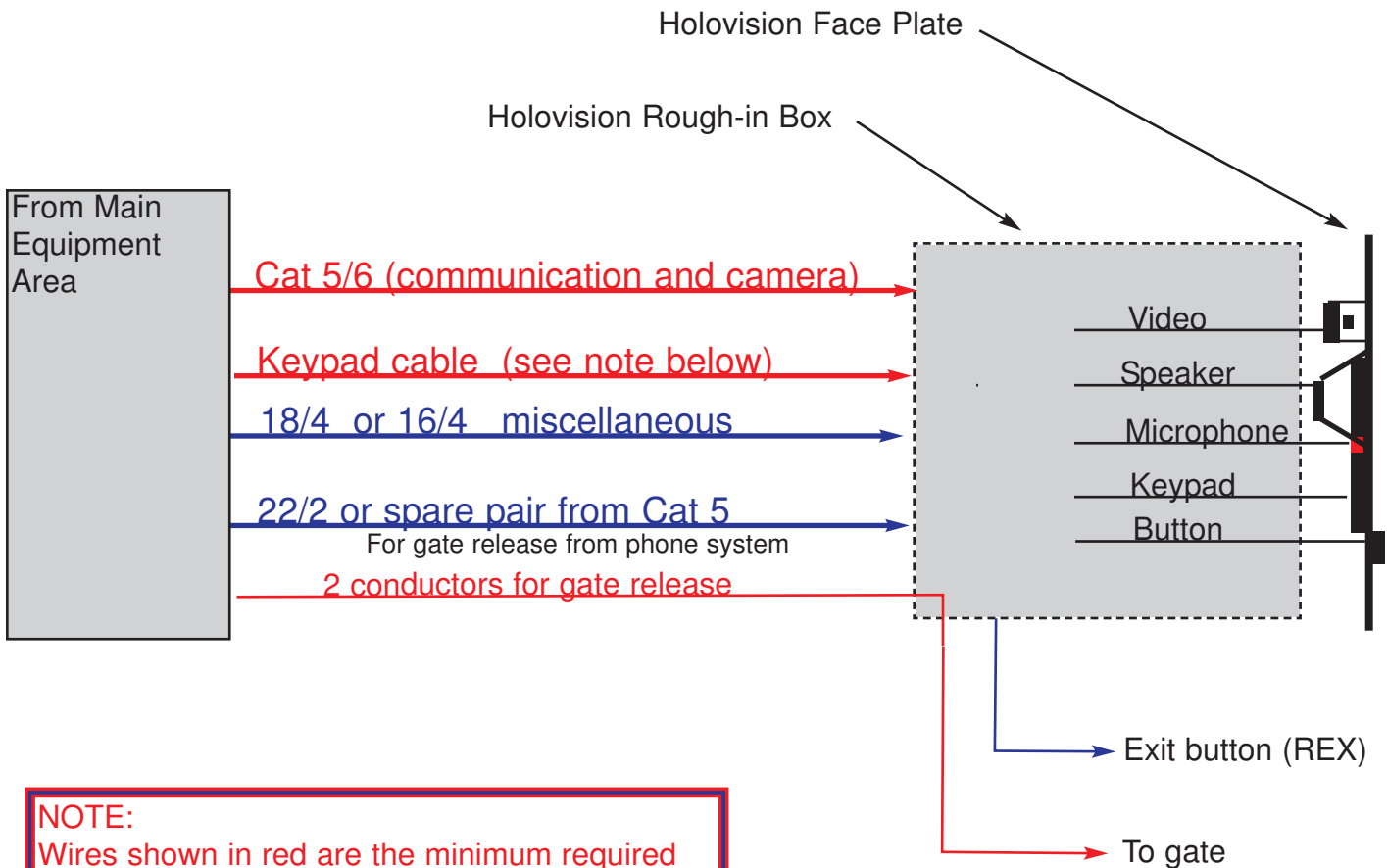
NOTE:
Wires shown in red are the minimum required
Wires shown in blue are recommended

Wire for gate release from phone system is required, but it can be a spare pair from Cat5/6

Prewire for 600, 700, 800, and 900 Series

For Models 600, 602, 605, 607, 608, 700, 702, 705, 707, 708, 800, 805, 900

For the following combinations: 6XX-W-VIO, 7XX-W-VIO, 8XX-W-VIO and 9XX-W-VIO



NOTE:

Wires shown in red are the minimum required

Wires shown in blue are recommended

Wiegand Keypads:

Cable Distance

Wiegand or Clock-and-Data interface: 500 feet

Recommended cable

Alpha 1295, Belden 5504FE 6 conductor, 22 AWG stranded with overall shield or equivalent

NOTE: Cat 5 / 6 cable for Wiegand keypad is NOT recommended if the controller is mounted at the HEAD END.

NOTE: regarding Infinias Wiegand controllers. Infinias Wiegand controllers are NOT intended to be mounted at the HEAD END. They are to be mounted locally (2 gang weather proof box or inside of Holovision rough-in box). If Infinias is mounted locally, the communication is Ethernet, and the correct cable is Cat 5/6. (100 meters maximum per IEEE 802.3ab).

Door Station Rough-in

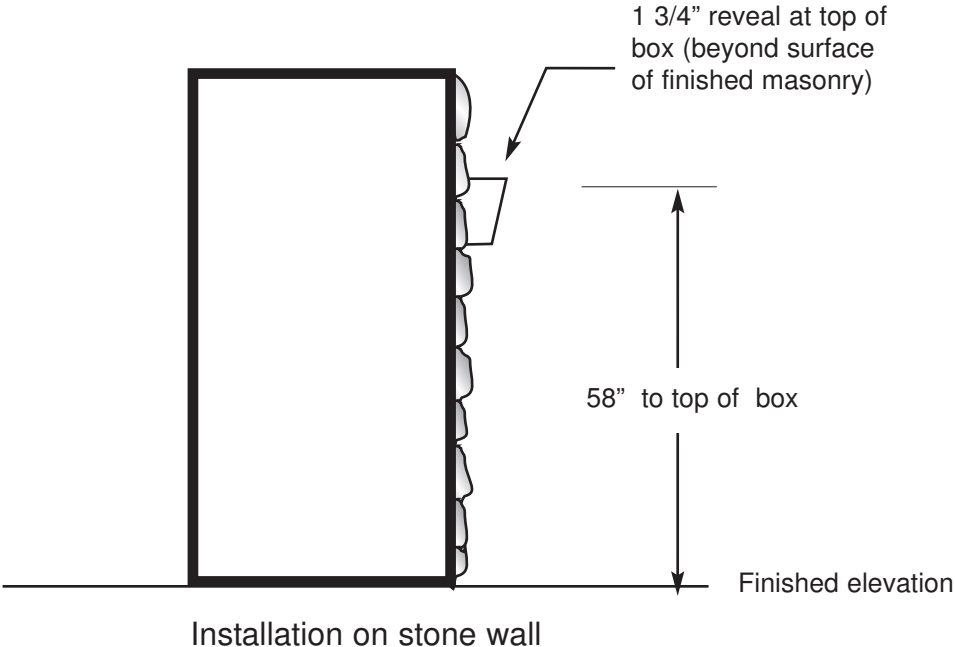
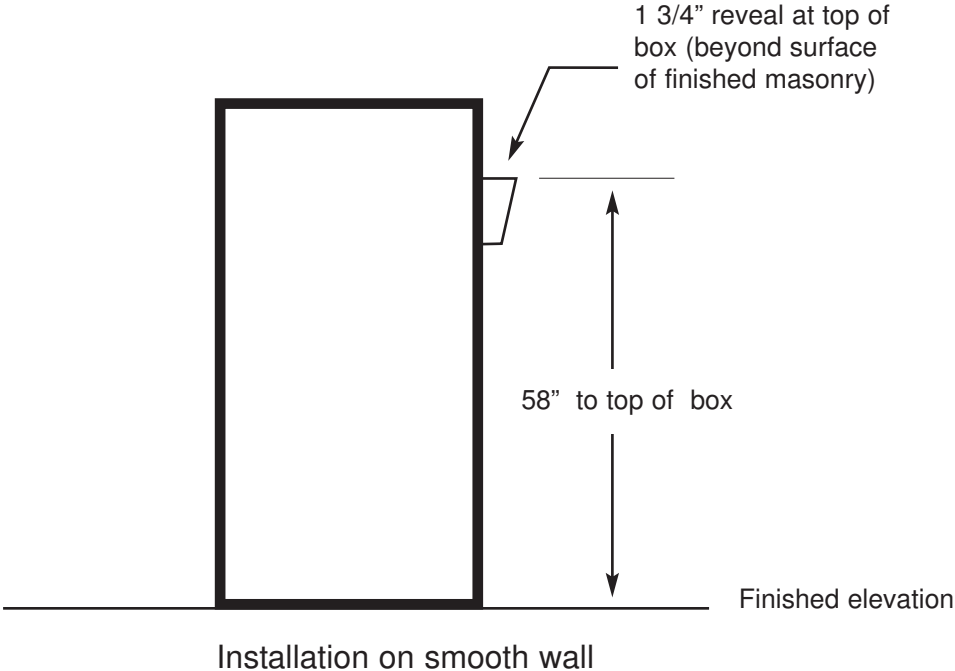
600, 700, 800, and 900 series



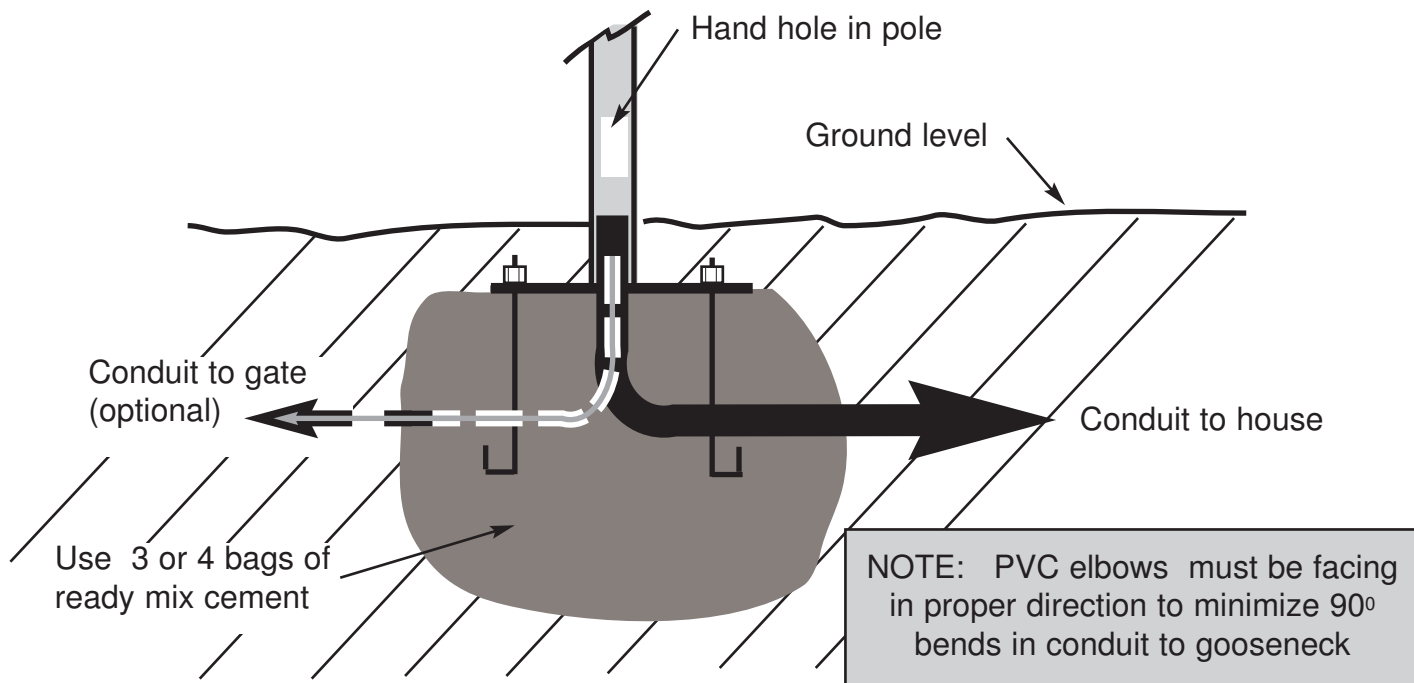
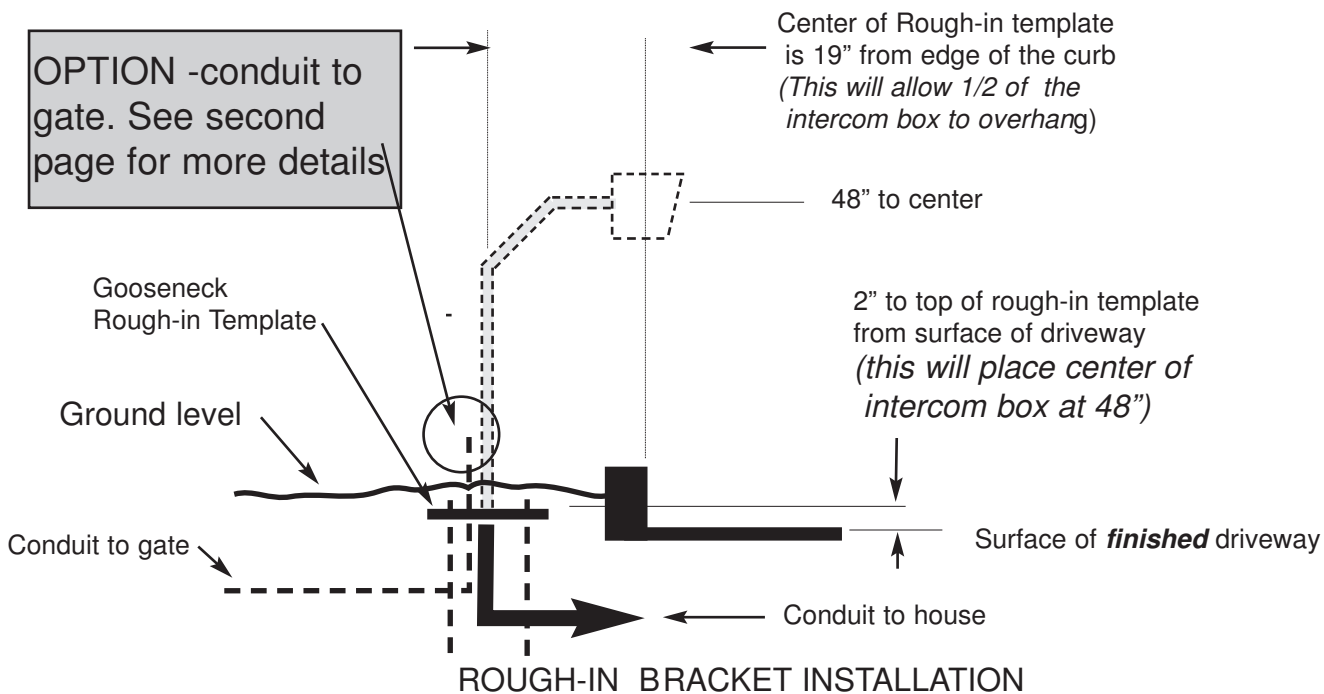
58"

NOTE: All dimensions given are relative to "finished" surface, not rough grade.

Installation Details - 300, 600 and 800 Series



Installation Details - 2 Piece Gooseneck



DETAIL OF ATTACHMENT OF POLE ONTO BASE

Installation Details - 2 Piece Gooseneck

Optional application with 2 conduits

