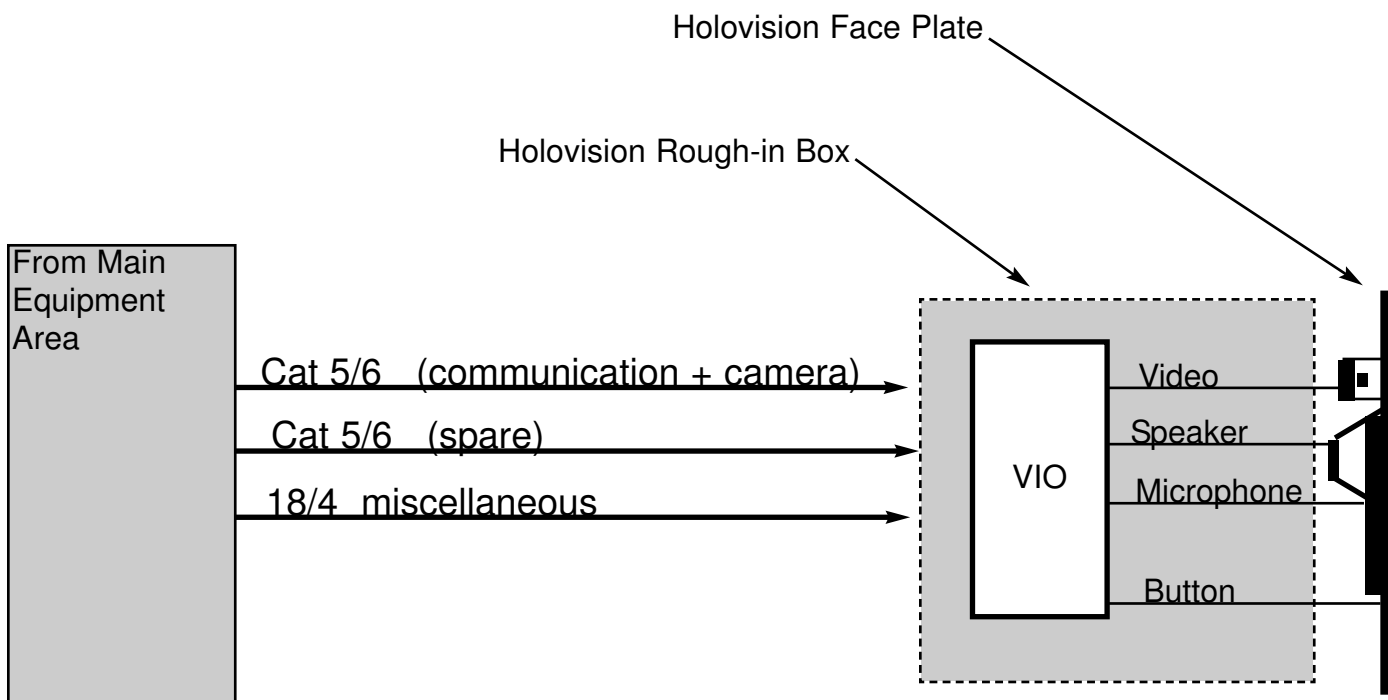


Prewire for 600 and 700 Series

For Models 609, 610, 709, 710

For the following combinations: 6XX-VIO and 7XX-VIO



NOTE:

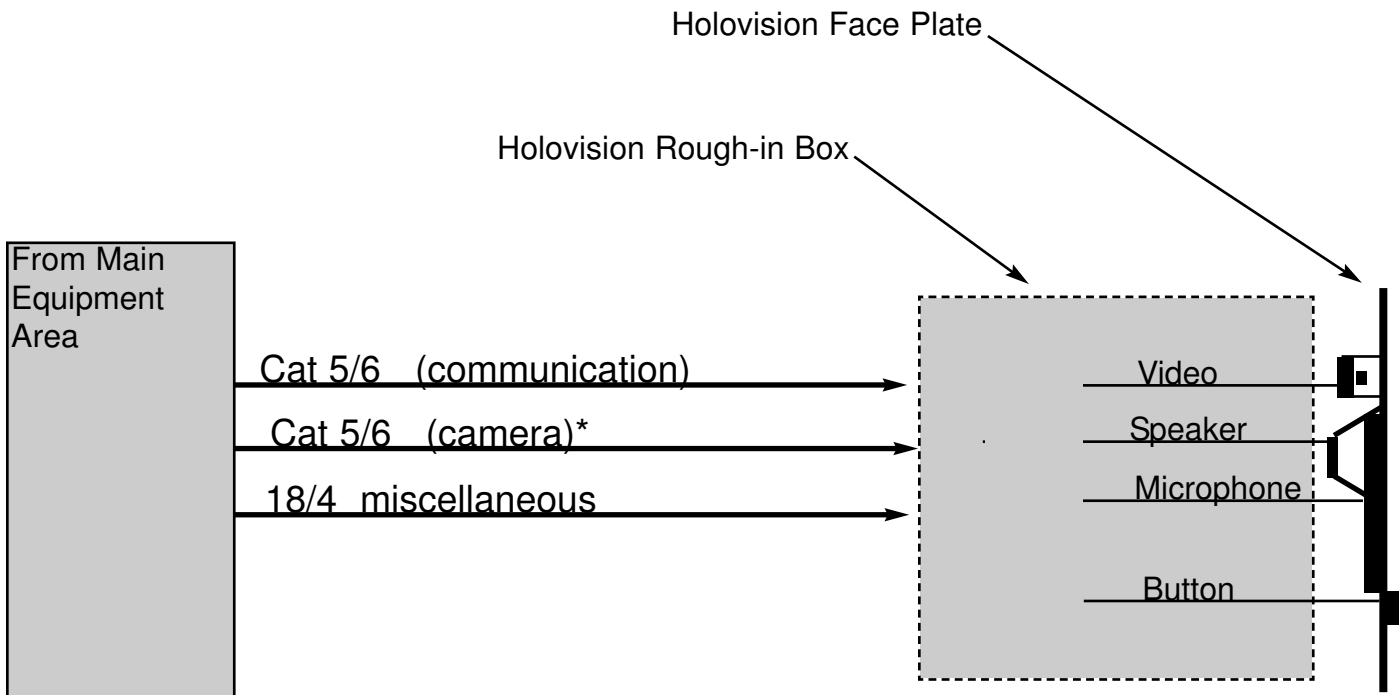
Wires shown in red are the minimum required

Wires shown in blue are recommended

Prewire for 600 and 700 Series

For Models 609, 610, 709, 710

For the following units: **6XX-VIK** and **7XX-VIK**



Note on Camera Cable : Use one Cat5 cable for Video if balun is used (HoloVision P/N 9107)

Or use Coax + Low voltage Power.

NOTE:

Wires shown in red are the minimum required

Wires shown in blue are recommended

Door Station Rough-in

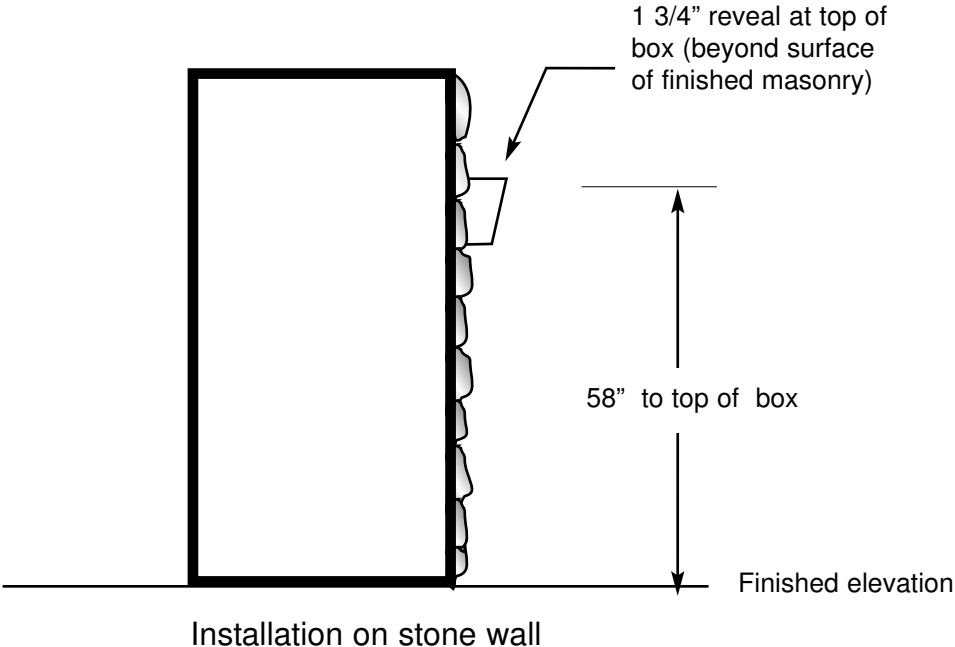
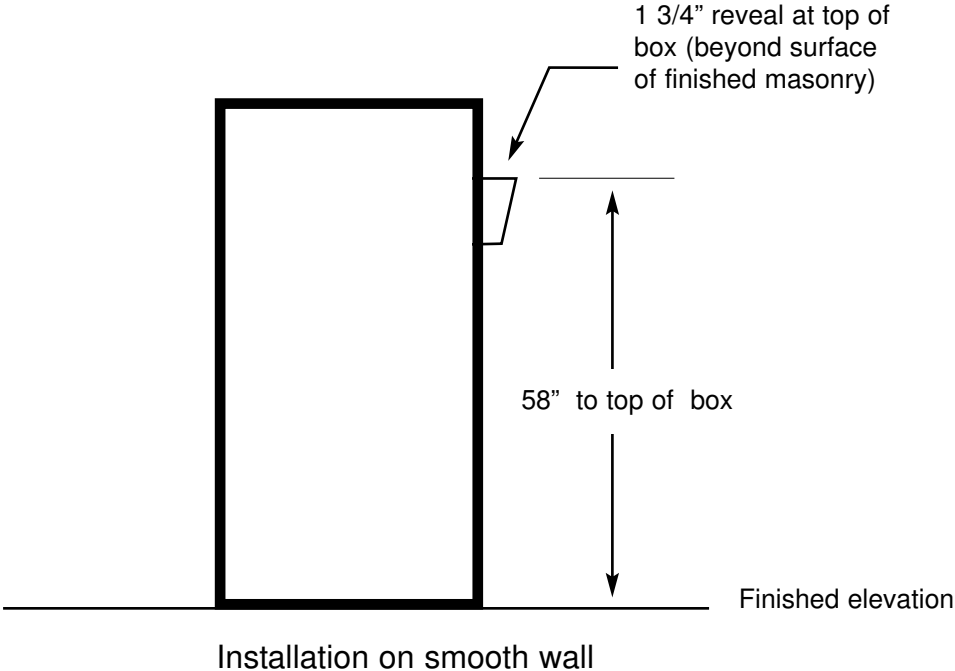
600 and 700 series



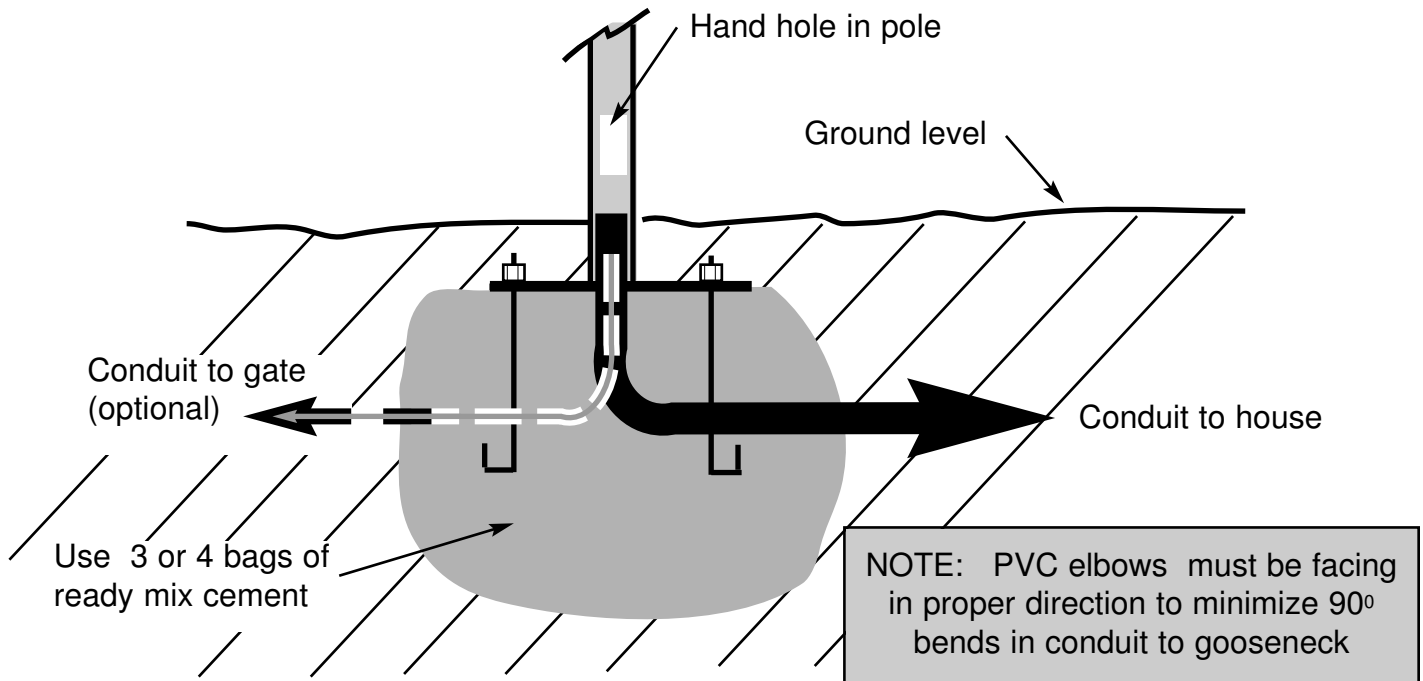
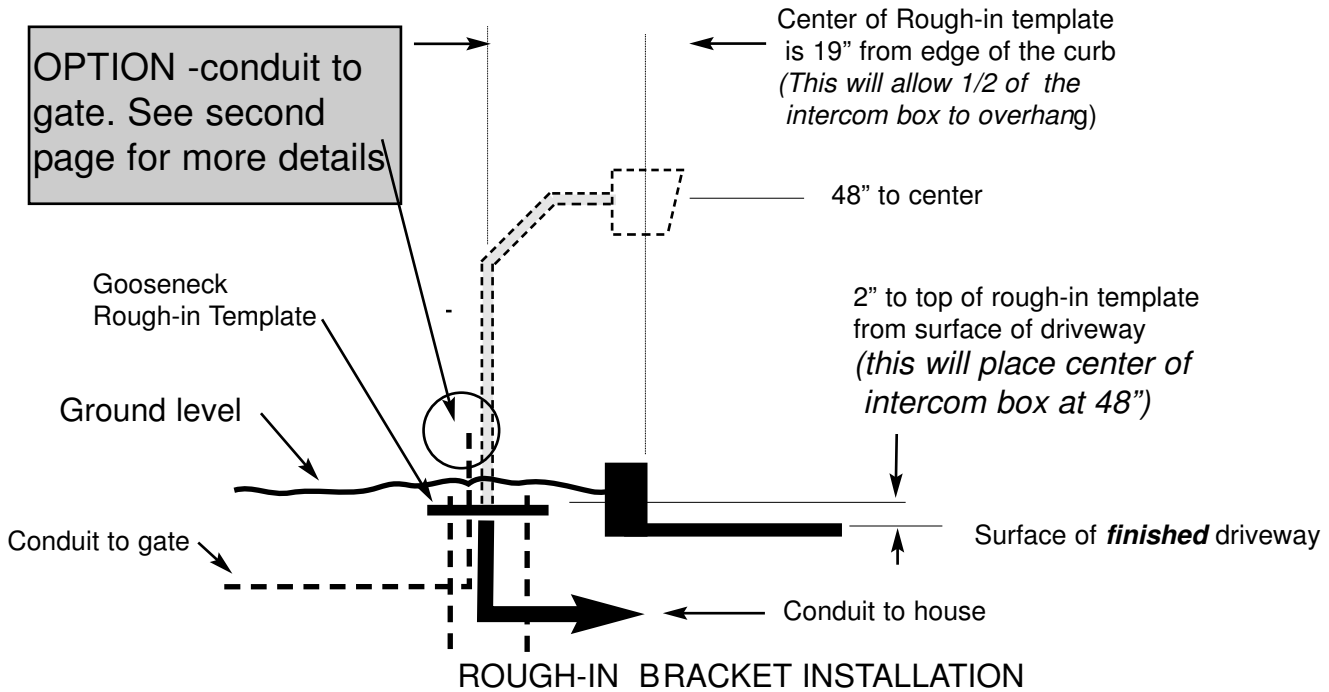
58"

NOTE: All dimensions given are relative to "finished" surface, not rough grade.

Installation Details - 300 and 600 Series



Installation Details - 2 Piece Gooseneck



DETAIL OF ATTACHMENT OF POLE ONTO BASE

Installation Details - 2 Piece Gooseneck

Optional application with 2 conduits

