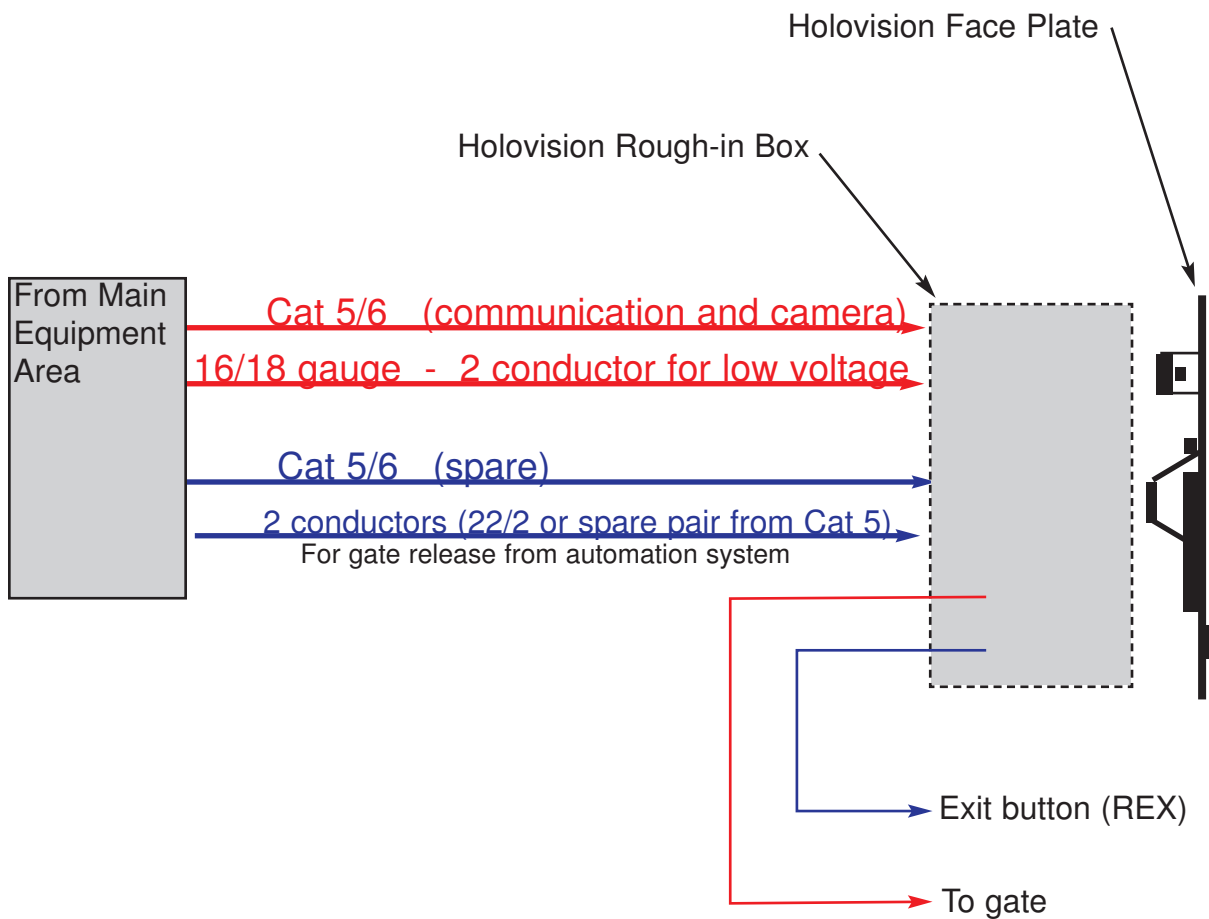


Prewire for Models 731, 831

Prewire for "S12" keypad



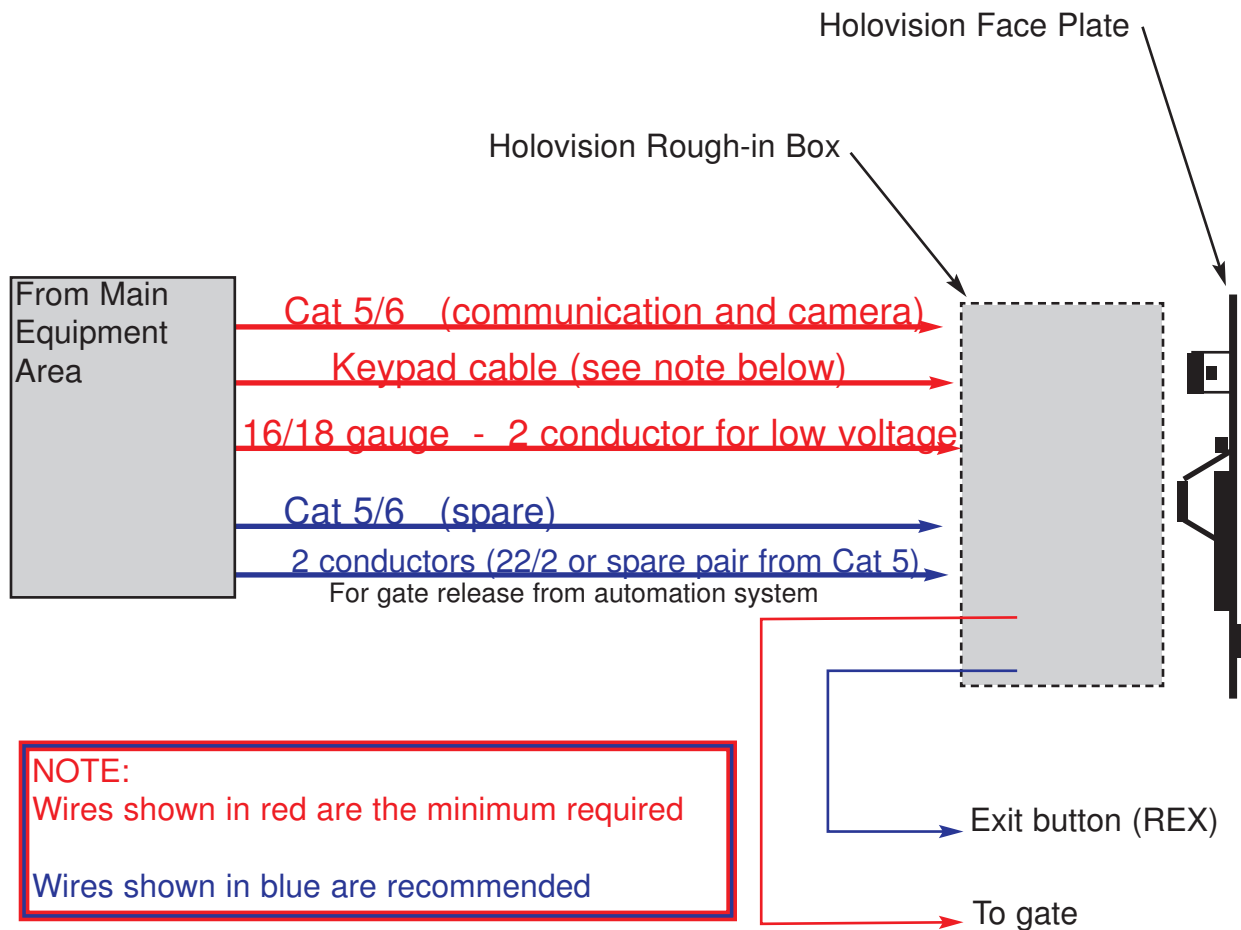
NOTE:

Wires shown in red are the minimum required

Wires shown in blue are recommended

Prewire for Models 731, 831

Prewire for "W" keypad



Wiegand Keypads:

Cable Distance

Wiegand or Clock-and-Data interface: 500 feet

Recommended cable

Alpha 1295, Belden 5503FE 5 conductor, 22 AWG stranded with overall shield or equivalent

NOTE: Cat 5 / 6 cable for Wiegand keypad is NOT Recommended

ASCII Keypads:

Cable Distance

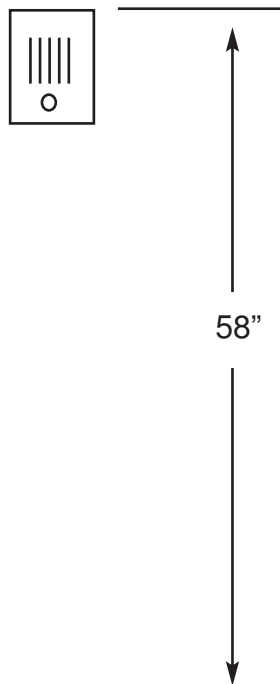
ASCII controller: 500 feet

Recommended cable

Cat 5, Cat 6

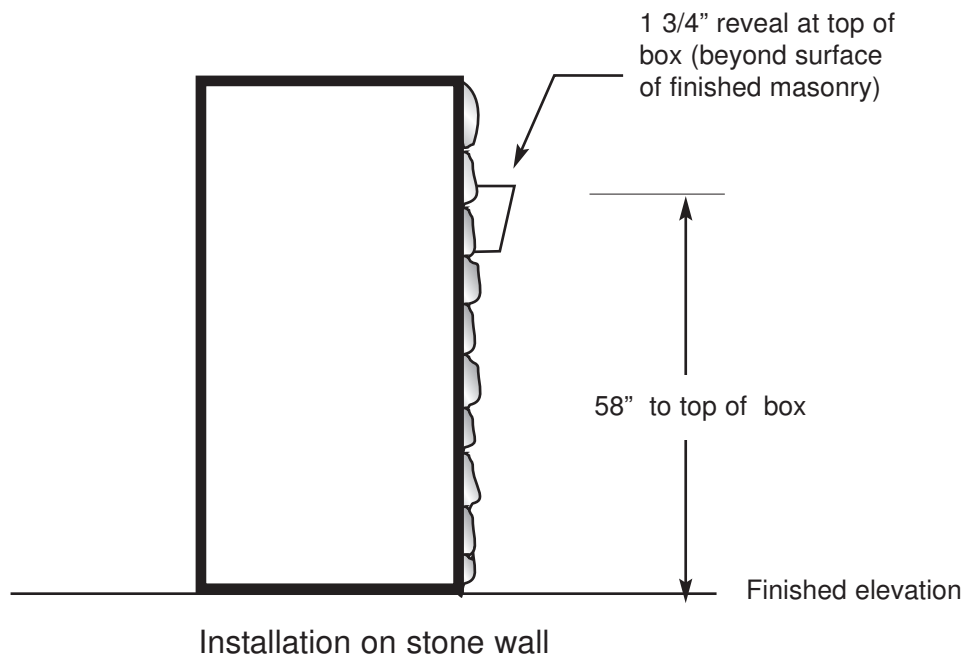
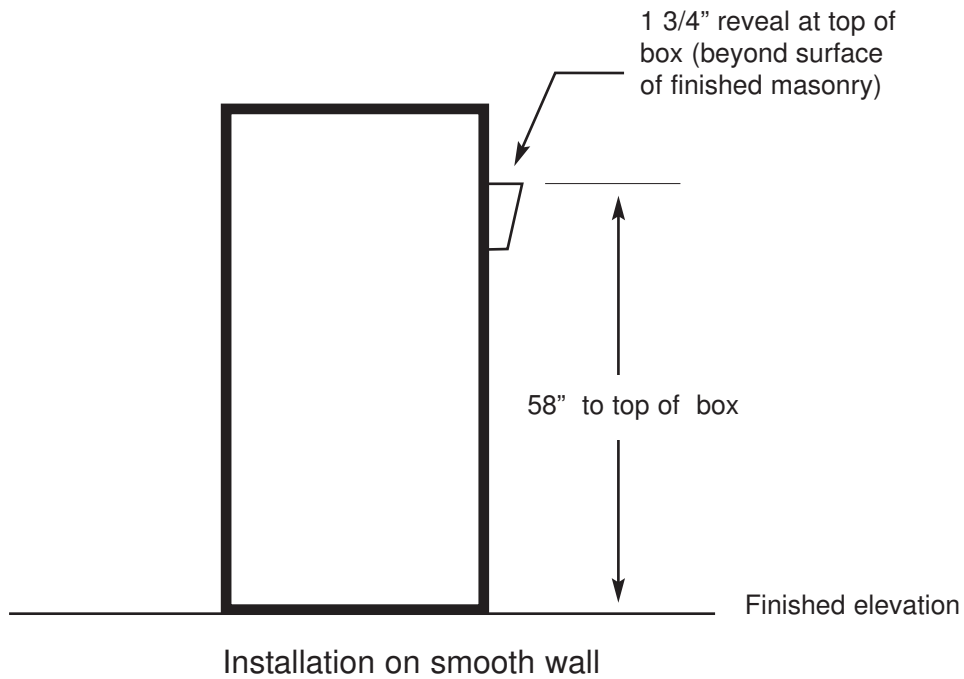
Door Station Rough-in

Model 731, 831

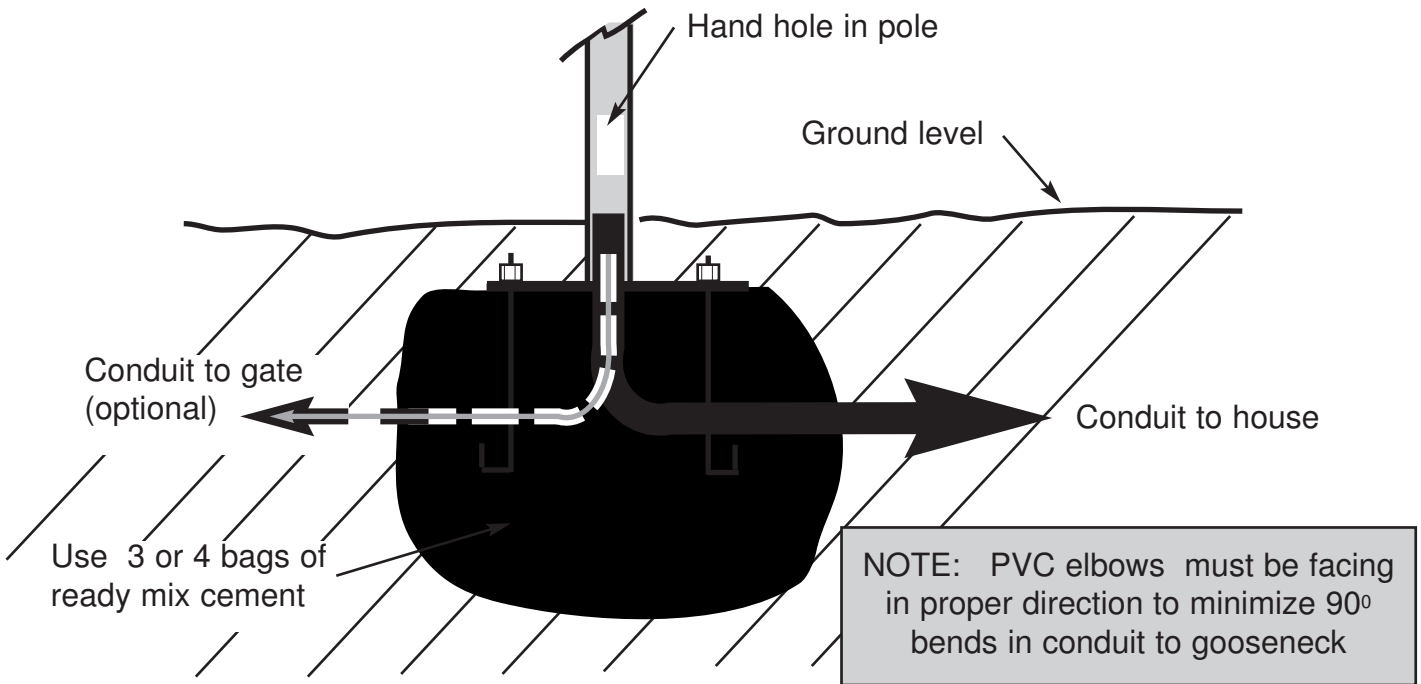
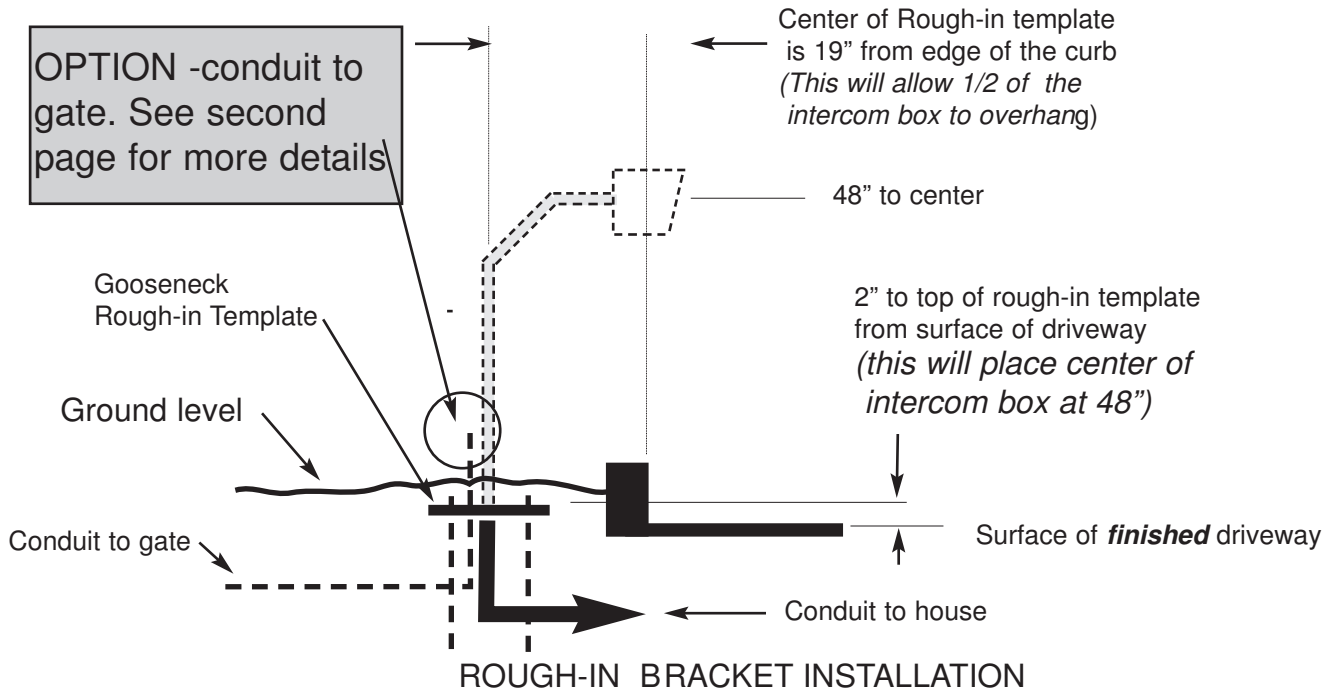


NOTE: All dimensions given are relative to "finished" surface, not rough grade.

Installation Details - 600 and 800 Series



Installation Details - 2 Piece Gooseneck



DETAIL OF ATTACHMENT OF POLE ONTO BASE

Installation Details - 2 Piece Gooseneck

Optional application with 2 conduits

