



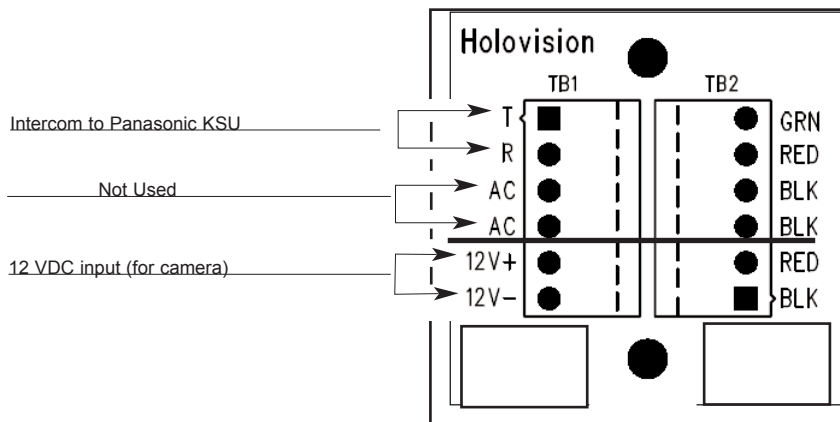
INSTALLATION INSTRUCTIONS

Manual Type 6.0.0.8-RF PAN 2 Intercom

For Models

413-PAN2	414-PAN2
420-PAN2	421-PAN2
423-PAN2	

Specifications	
<p>Communication For use with all Panasonic KSUs with door phone card. This unit is a replacement for the Panasonic KXT-7775 door phone.</p>	<p>Access Control Panasonic KSU door phone card has relay outputs</p>



400 Series "Small" Junction Board

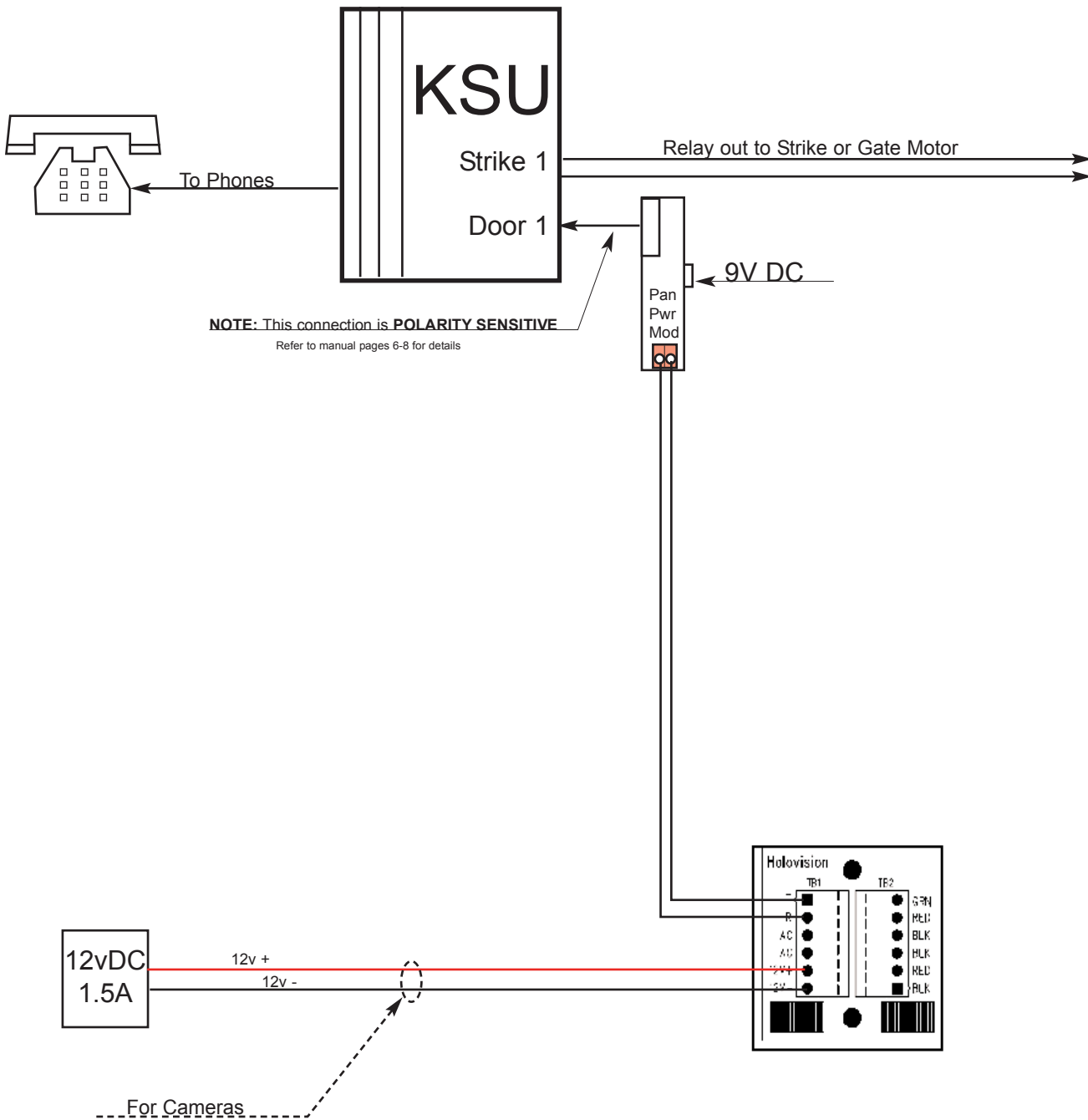
501 E. Goetz Ave.
Santa Ana, Ca 92707

www.eholovision.com

Ph. 714-434-6904
Fax 800-362-0002

HOLOVISION

PAN2 Intercom Wiring



Operation Instructions

ANSWER A CALL FROM DOORBOX

When the phones ring, pick up a phone to be connected to the visitor.

NOTE: Adjust Sensitivity of Microphone by turning volume knob as indicated.