

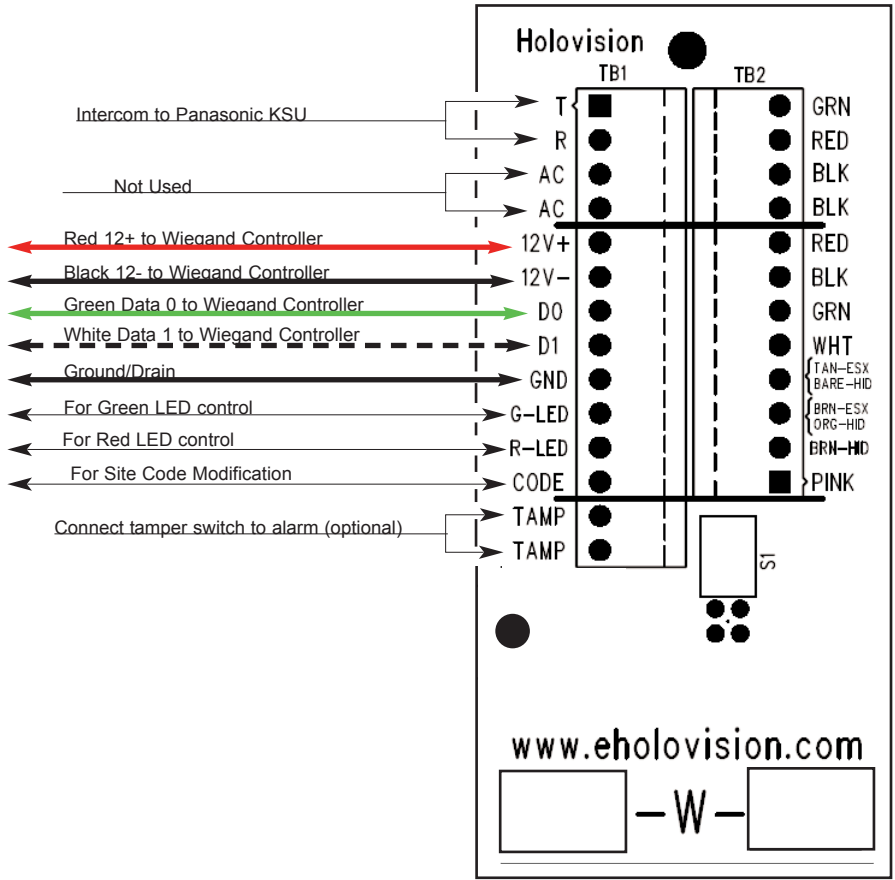


Manual Type 6.4.0.1-RF
Panasonic Compatible Intercom

For Models _____

400-W-PAN	401-W-PAN
403-W-PAN	404-W-PAN
410-W-PAN	411-W-PAN

Specifications	
<p>Communication</p> <p>For use with all Panasonic KSUs with door phone card. This unit is a replacement for the Panasonic KXT-30865 door phone.</p>	<p>Access Control</p> <p>Essex KPT-26TI 26 bit Wiegand Keypad</p>



400 Series "W" Junction Board

**INSTALLATION
INSTRUCTIONS**

501 E. Goetz Ave.
Santa Ana, Ca 92707

www.eholovision.com

Ph. 714-434-6904
Fax 800-362-0002

HOLOVISION

Essex Keypad and PAN wiring

