

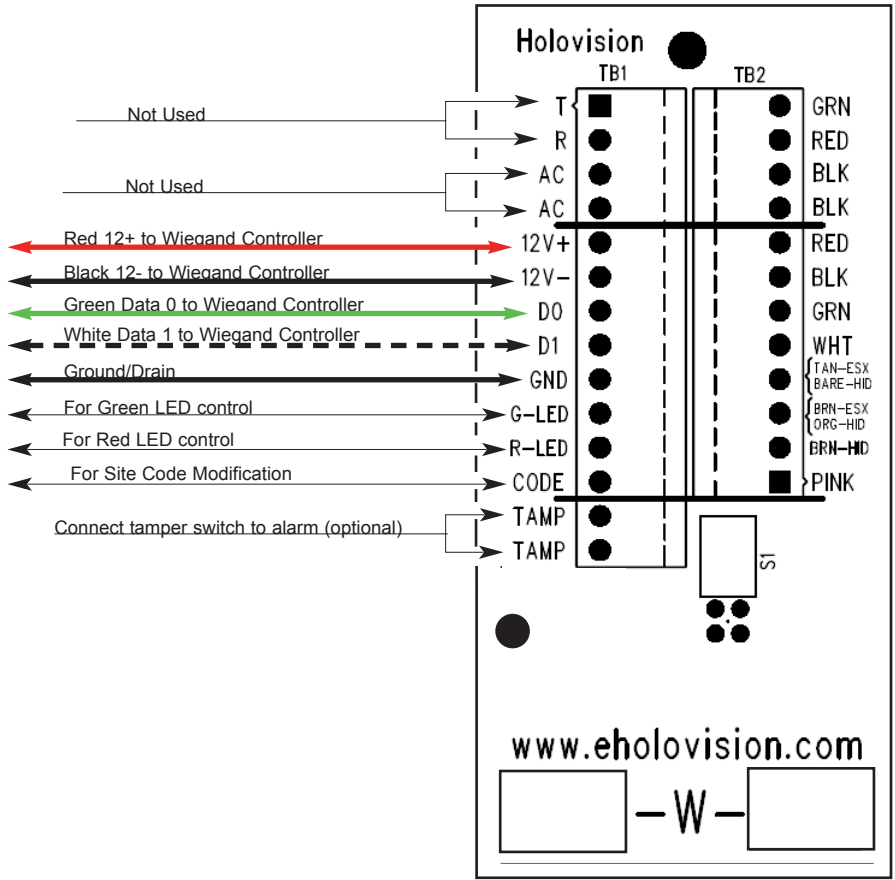


**Manual Type 6.4.0.10-RF**  
 Cyber Data VoIP  
 with Essex Wiegand Keypad

**For Models** \_\_\_\_\_

400-W-VoIP	401-W-VoIP
403-W-VoIP	404-W-VoIP
410-W-VoIP	411-W-VoIP

Specifications	
<b>Communication</b> Cyberdata VoIP Intercom for use with IPBx	<b>Access Control</b> Essex KPT-26TI 26 bit Wiegand Keypad VoIP card has relay output



400 Series "W" Junction Board

**INSTALLATION  
 INSTRUCTIONS**

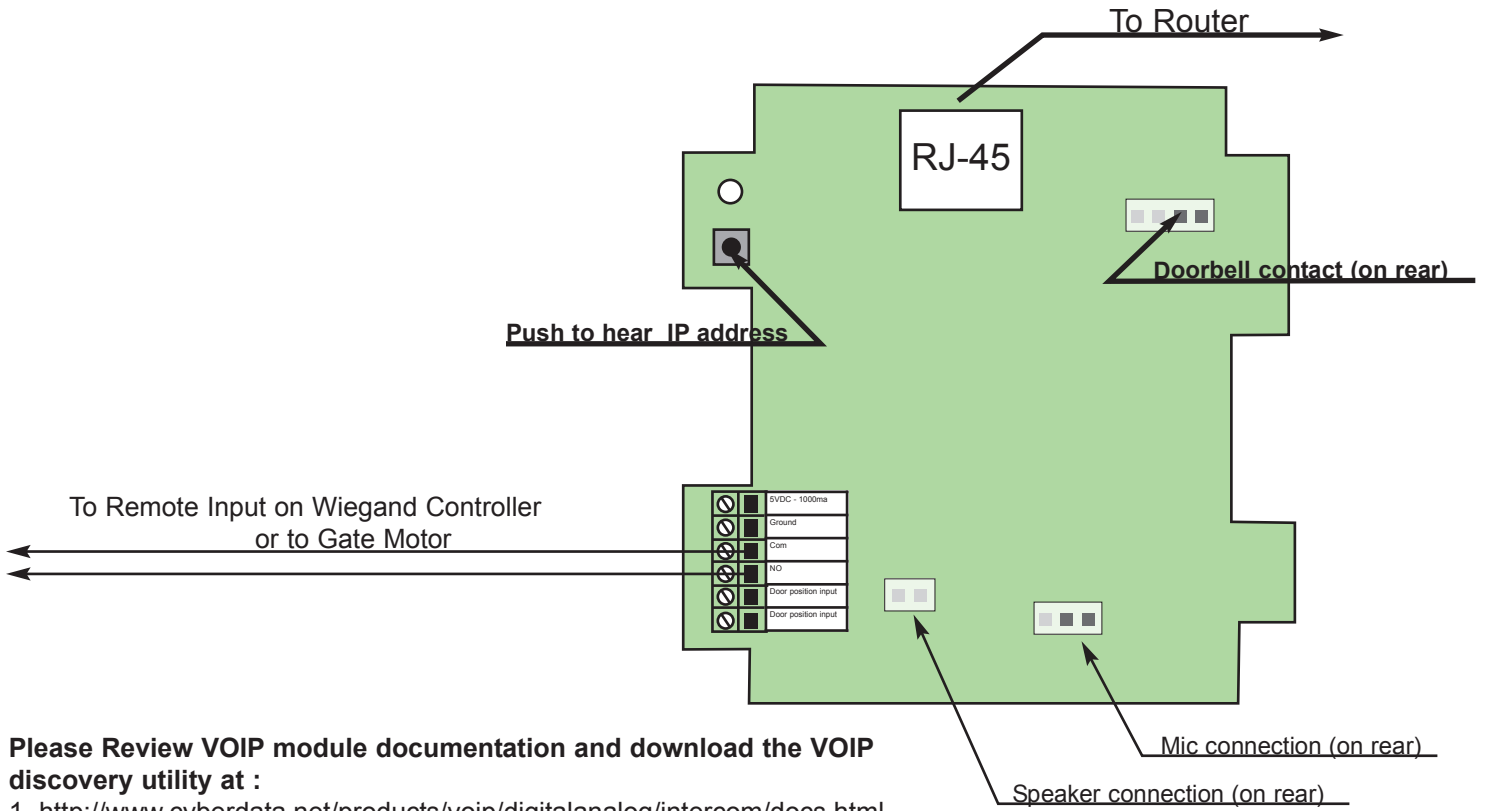
501 E. Goetz Ave.  
 Santa Ana, Ca 92707

[www.eholovision.com](http://www.eholovision.com)

Ph. 714-434-6904  
 Fax 800-362-0002

**HOLOVISION**

# VoIP Wiring Diagram



Please Review VOIP module documentation and download the VOIP discovery utility at :

1. <http://www.cyberdata.net/products/voip/digitalanalog/intercom/docs.html>
2. [http://www.cyberdata.net/support/voip/VoIP\\_Discovery\\_Utility.zip](http://www.cyberdata.net/support/voip/VoIP_Discovery_Utility.zip)

