



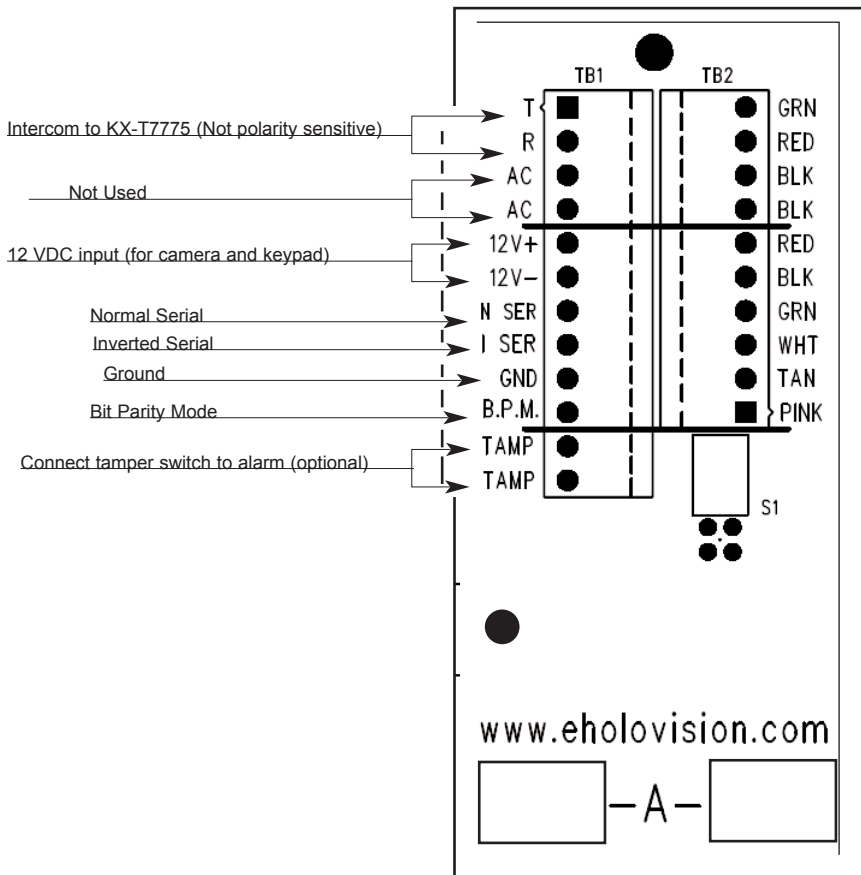
**INSTALLATION
INSTRUCTIONS**

Manual Type 6.5.0.8-RF
 xxx
 with Essex "ASCII" Keypad

For Models

400-A-PAN2	401-A-PAN2
403-A-PAN2	404-A-PAN2
410-A-PAN2	411-A-PAN2

Specifications	
<p>Communication For use with all Panasonic KSUs with door phone card. This unit is a replacement for the Panasonic KX-T7775 door phone.</p>	<p>Access Control Essex K1-261 Keypad field configurable to ASCII, Wiegand and others. Panasonic KSU door phone card has relay outputs</p>

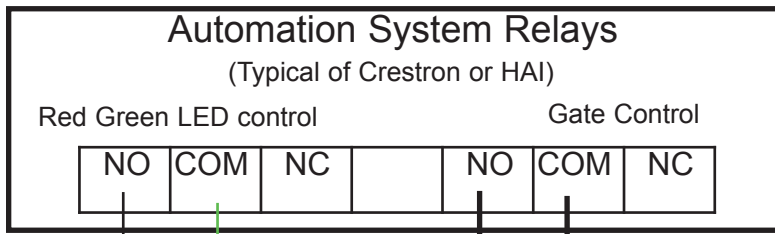


400 Series "A" Junction Board

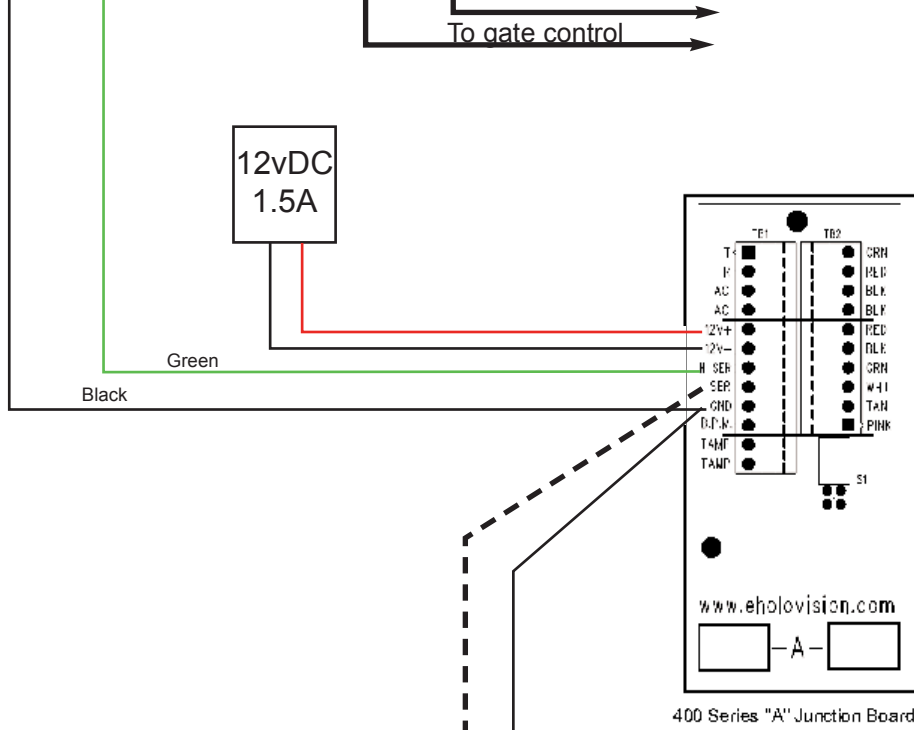
501 E. Goetz Ave.
 Santa Ana, Ca 92707
 www.eholovision.com
 Ph. 714-434-6904
 Fax 800-362-0002

HOLOVISION

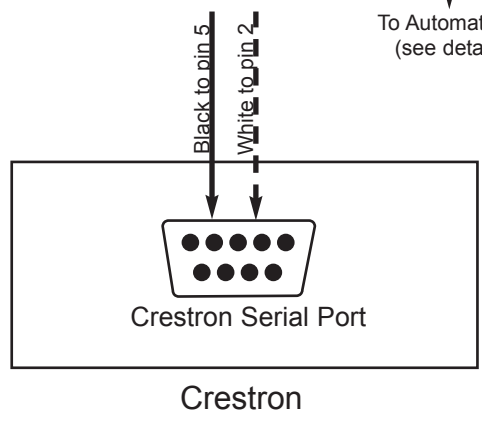
ASCII Connection to Crestron or HAI 400



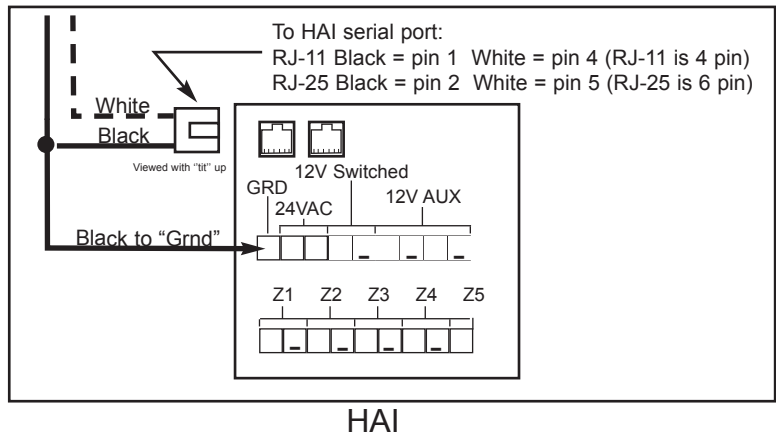
The red LED is normally on all of the time. When a valid code is entered, the relay controlling the LEDs would close, and the green light would go on (momentarily). Note, this relay must be programmed in Crestron or HAI in order for this to take place.



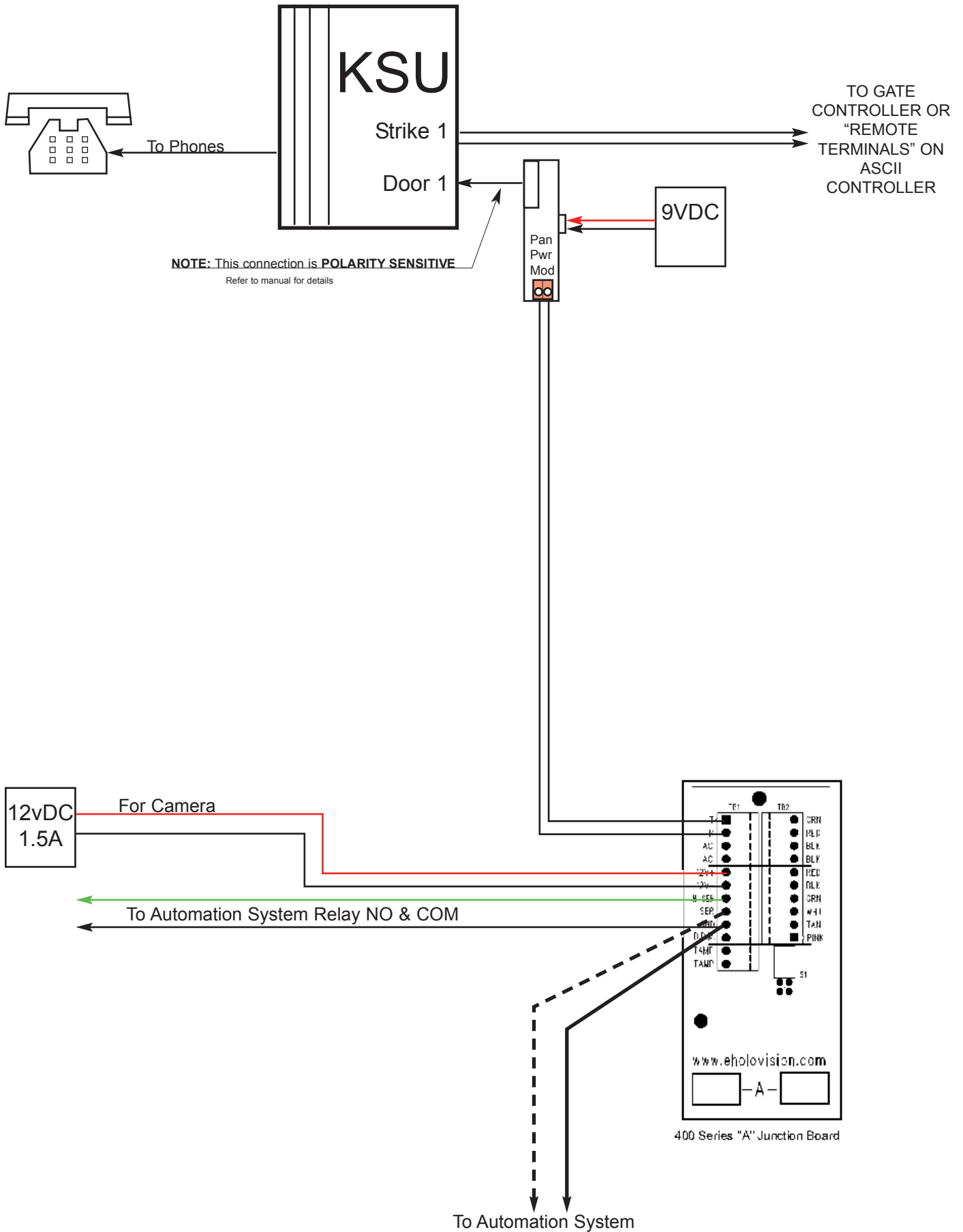
K1-261 ASCII Keypad



To Automation System
(see details below)



PAN2 Wiring Diagram





www.eholovision.com

**501 E. Goetz Ave.
Santa Ana, Ca 92707**

**Ph. 714-434-6904
Fax 800-362-0002**