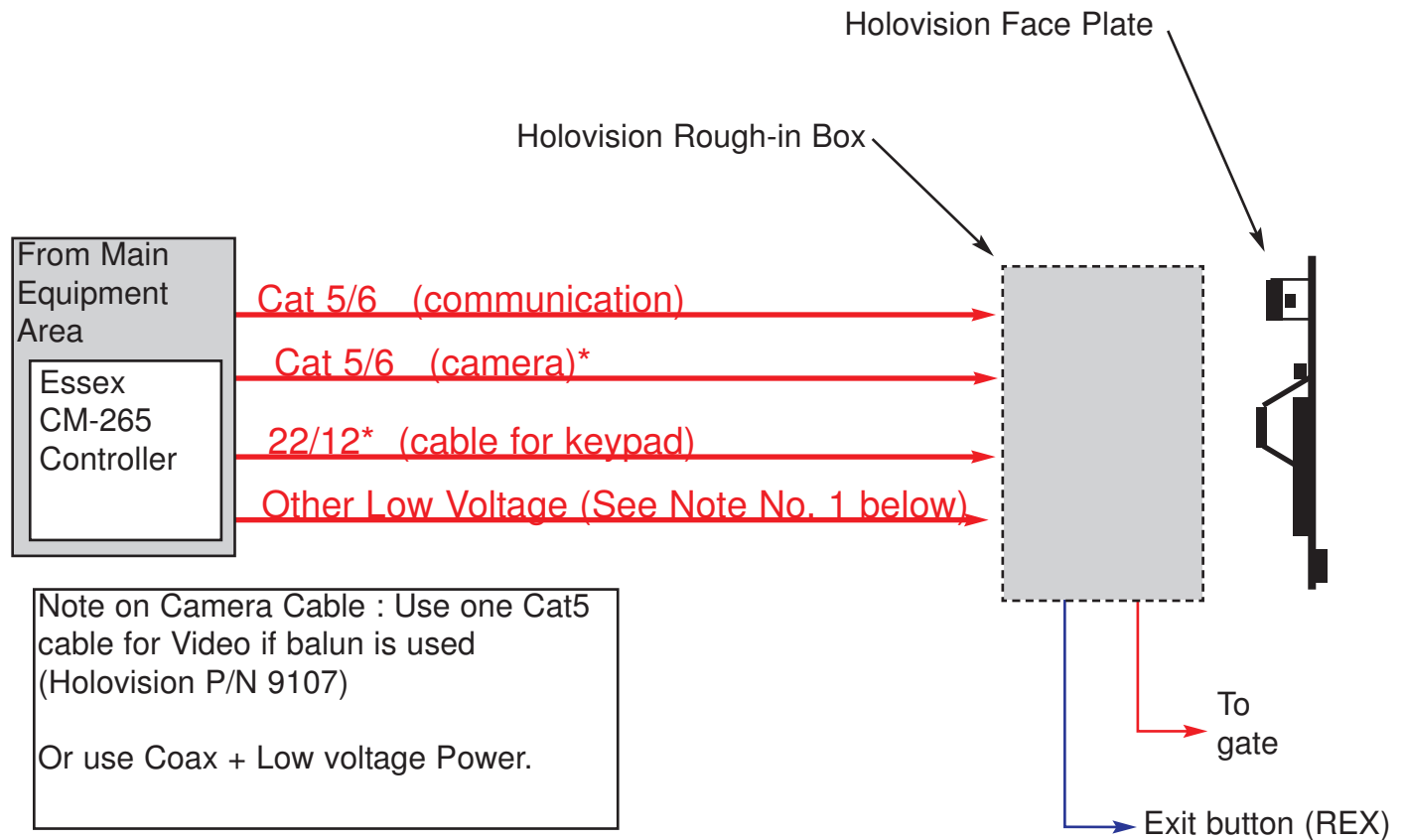


Prewire for Models 103, 201, 203

Prewire for all "Pan", "TES", "Vik", "Elan", etc.



NOTE:
Wires shown in red are the minimum required
Wires shown in blue are recommended

NOTE: Low voltage cable requirements include:

1. Telephone relay out - wires from phone system to gates (drive gate and pedestrian gate)
2. Release button (exit button)
3. 2 conductors 16/18 gauge for electric strike

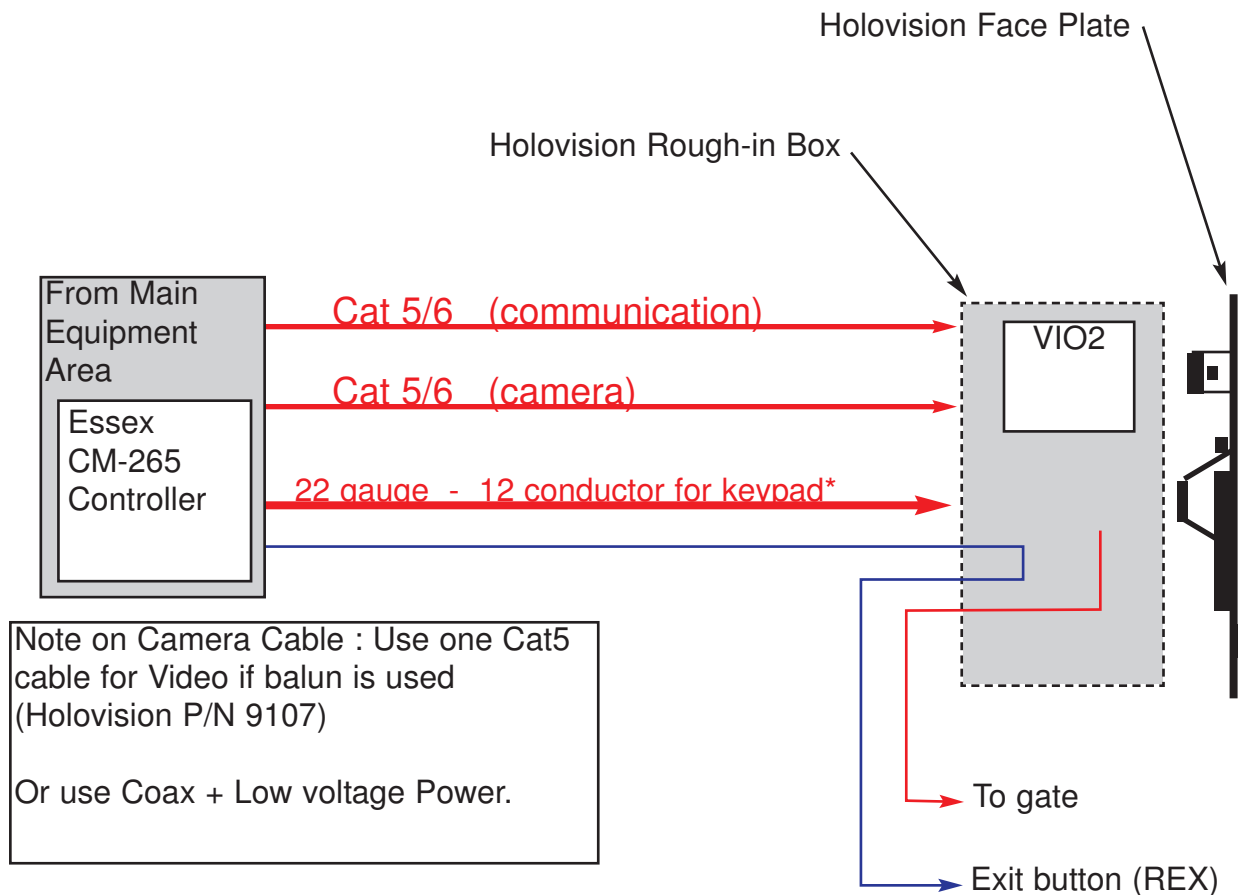
***Note on placement of Essex Controller:** The Essex Model 265 controller is too large to fit in the Model 100 or Model 200 rough in box. It is recommended that the controller be placed in the equipment room. This 22 gauge 12 conductor cable (to connect the keypad to the controller) is recommended for a maximum of 250'. For longer distances, increase the wire gauge.

NOTE: The use of 2 Cat 5 cables is not recommended. Use 22 gauge 12 conductor. 22/12 is stocked by HoloVision

Options: Model 401-S12 does not require this 12 conductor cable. See Model 401.

Prewire for Models 103, 201, 203

Prewire for VIO2



Note on Camera Cable : Use one Cat5 cable for Video if balun is used (Holovision P/N 9107)

Or use Coax + Low voltage Power.

NOTE:

Wires shown in red are the minimum required

Wires shown in blue are recommended

Note: If VIO2 is used to activate the strike, the strike will receive 12 VDC. If AC is required for the strike, a separate pair of wires should be supplied.

***Note on placement of Essex Controller:** The Essex Model 265 controller is too large to fit in the Model 100 or Model 200 rough in box. It is recommended that the controller be placed in the equipment room. This 22 gauge 12 conductor cable (to connect the keypad to the controller) is recommended for a maximum of 250'. For longer distances, increase the wire gauge.

NOTE: The use of 2 Cat 5 cables is not recommended. Use 22 gauge 12 conductor. 22/12 is stocked by Holovision

Options: Model 401-S12 does not require this 12 conductor cable. See Model 401.

Door Station Rough-in

Model 103



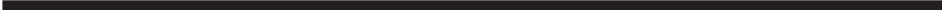
62"

Model 201, 203, 401, 411, 412

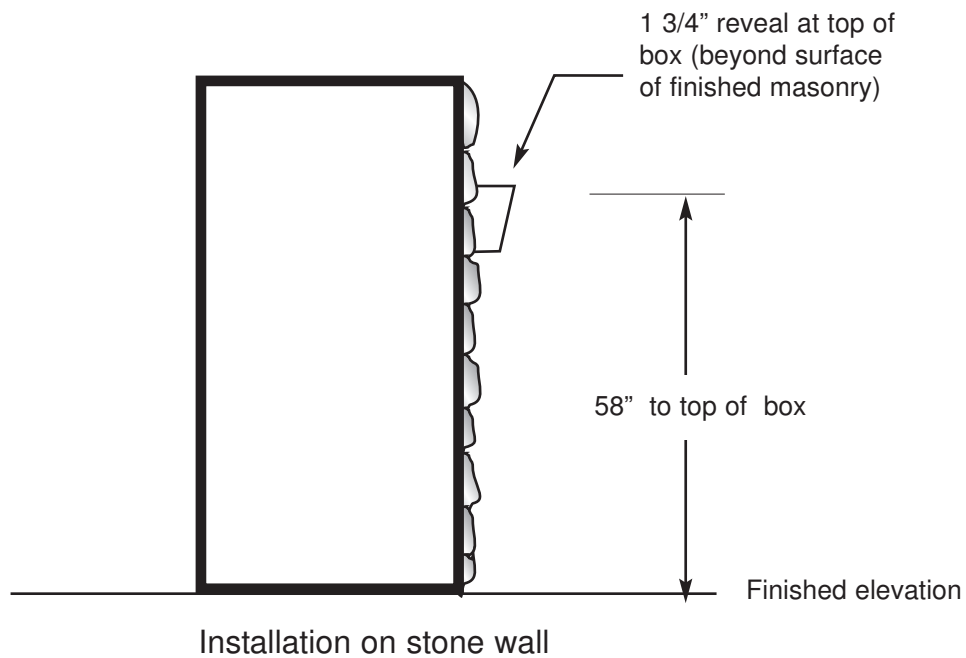
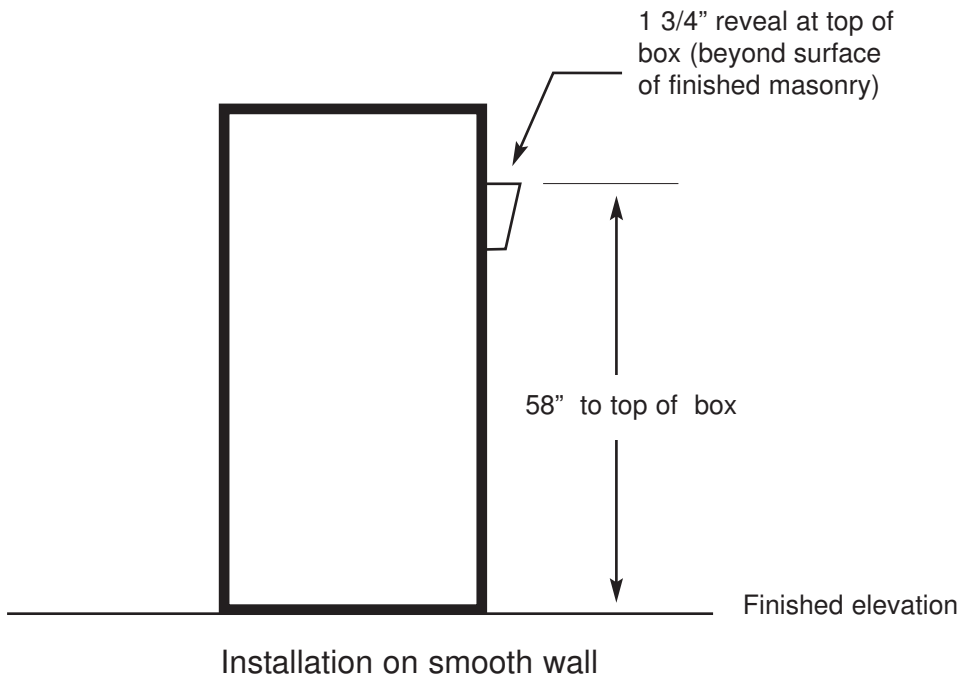


58"

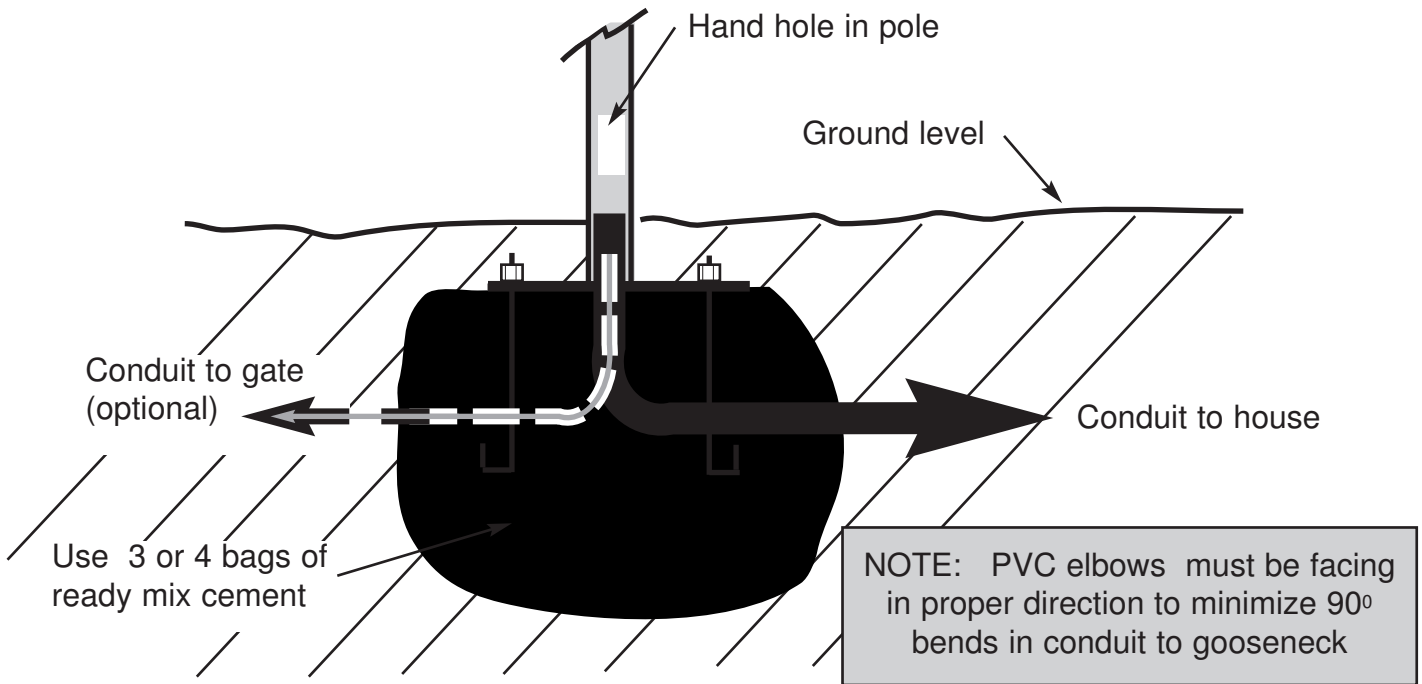
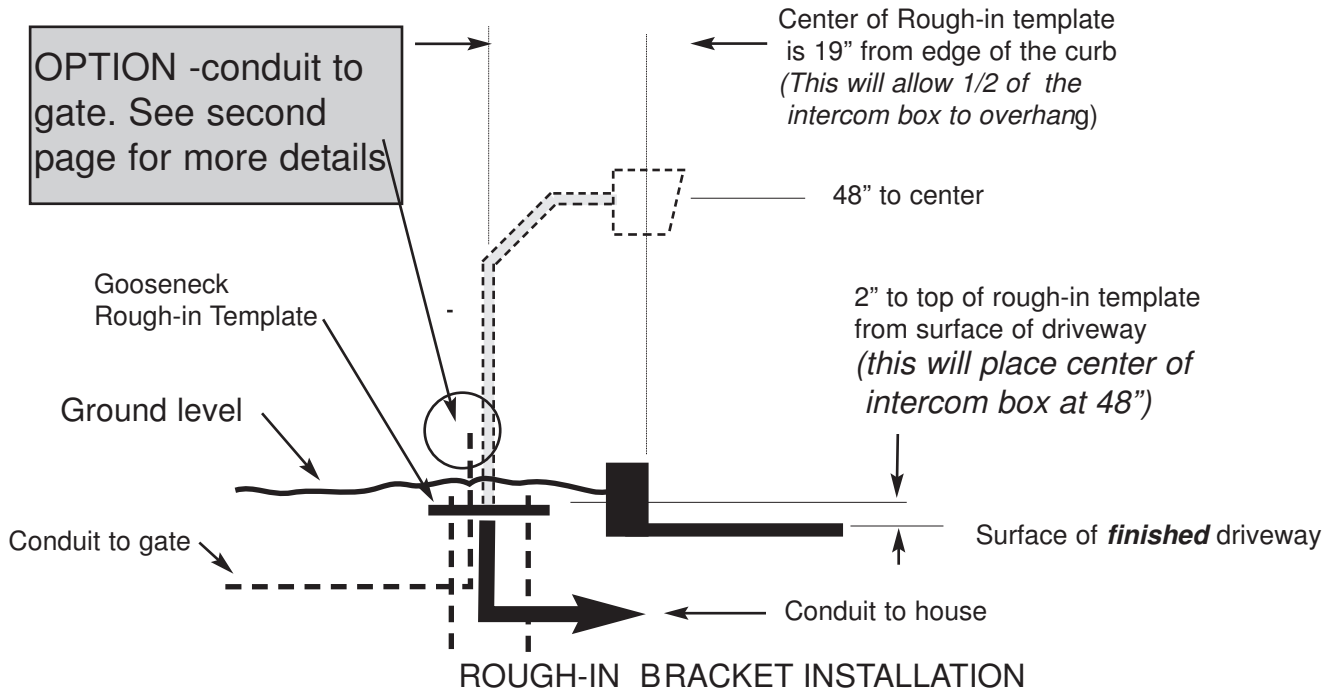
NOTE: All dimensions given are relative to "finished" surface, not rough grade.



Installation Details - 300 and 600 Series



Installation Details - 2 Piece Gooseneck



DETAIL OF ATTACHMENT OF POLE ONTO BASE

Installation Details - 2 Piece Gooseneck

Optional application with 2 conduits

