

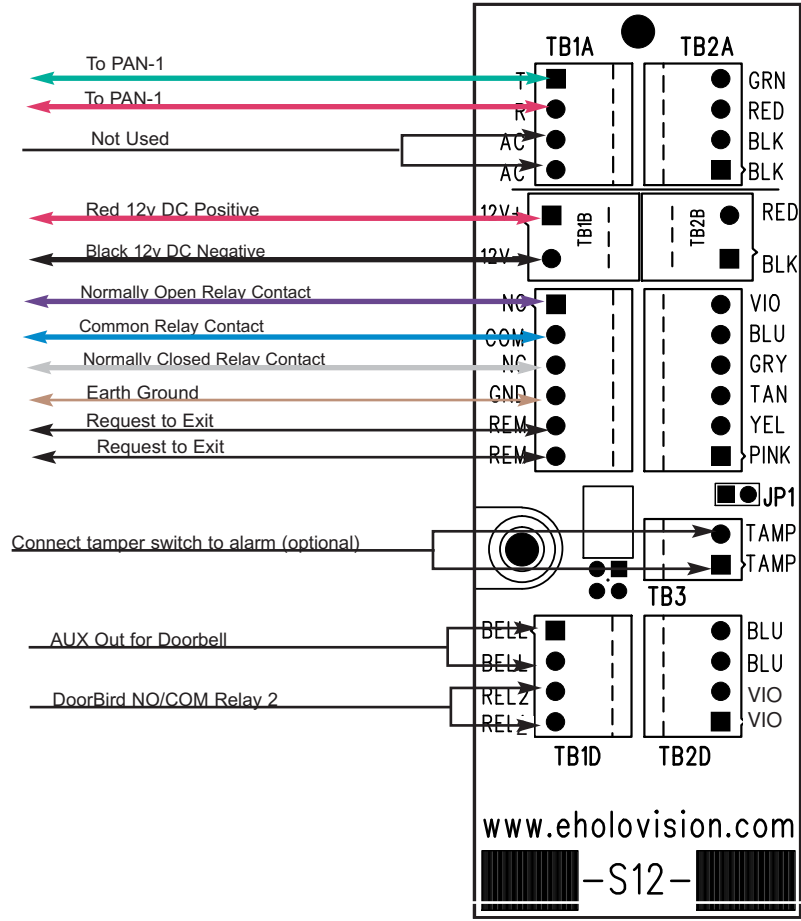
**Manual Type 6.2.0.4/12-RF**  
**DoorBird and Viking Dual Intercom**

**For Models** \_\_\_\_\_

977-S12-DB-VIK  
 577-DB-VIK

**INSTALLATION  
 INSTRUCTIONS**

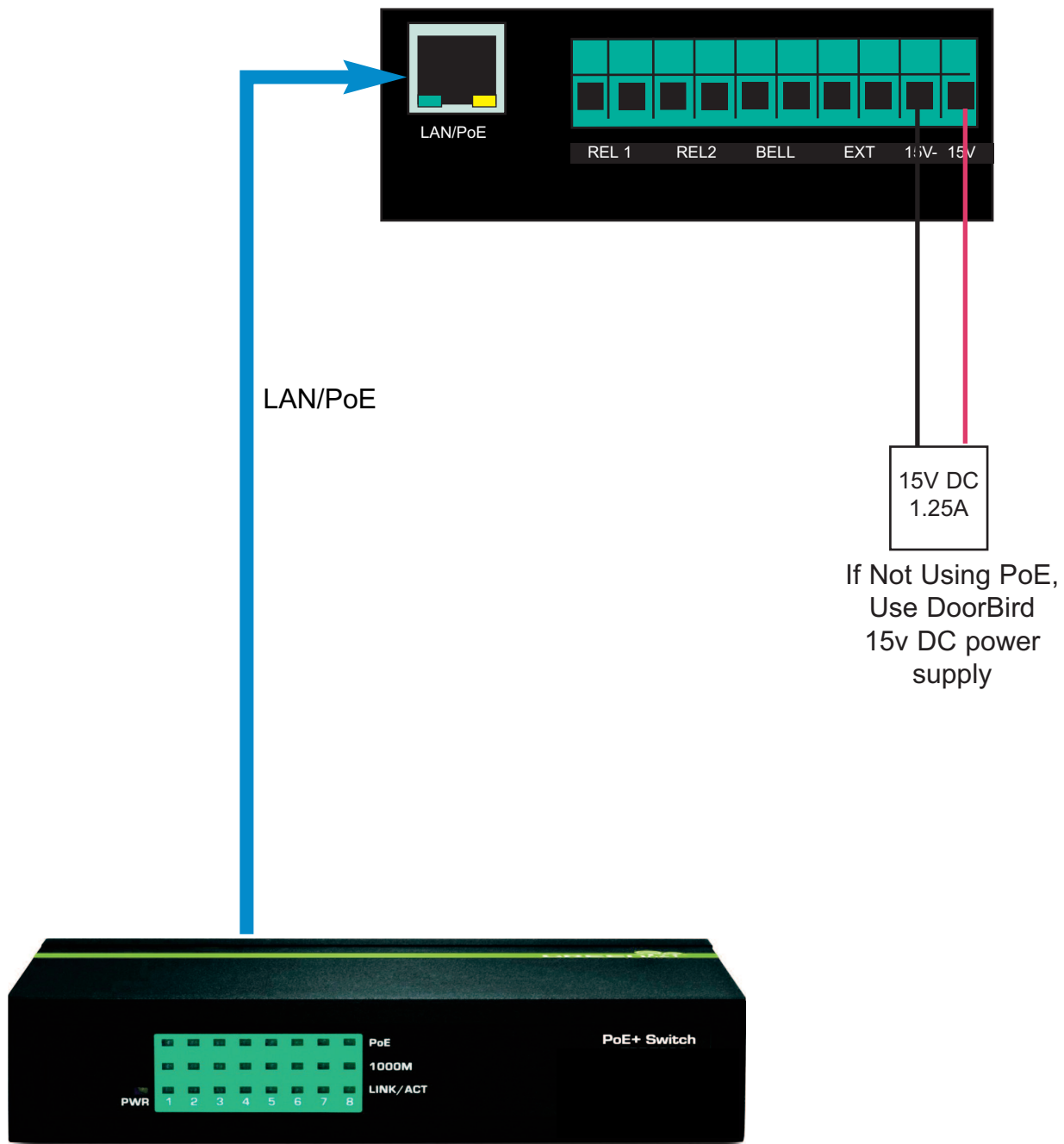
Specifications	
<b>Communication</b> DoorBird Intercom Viking E-10/PAN-1	<b>Access Control</b> Essex SKE-26i Keypad

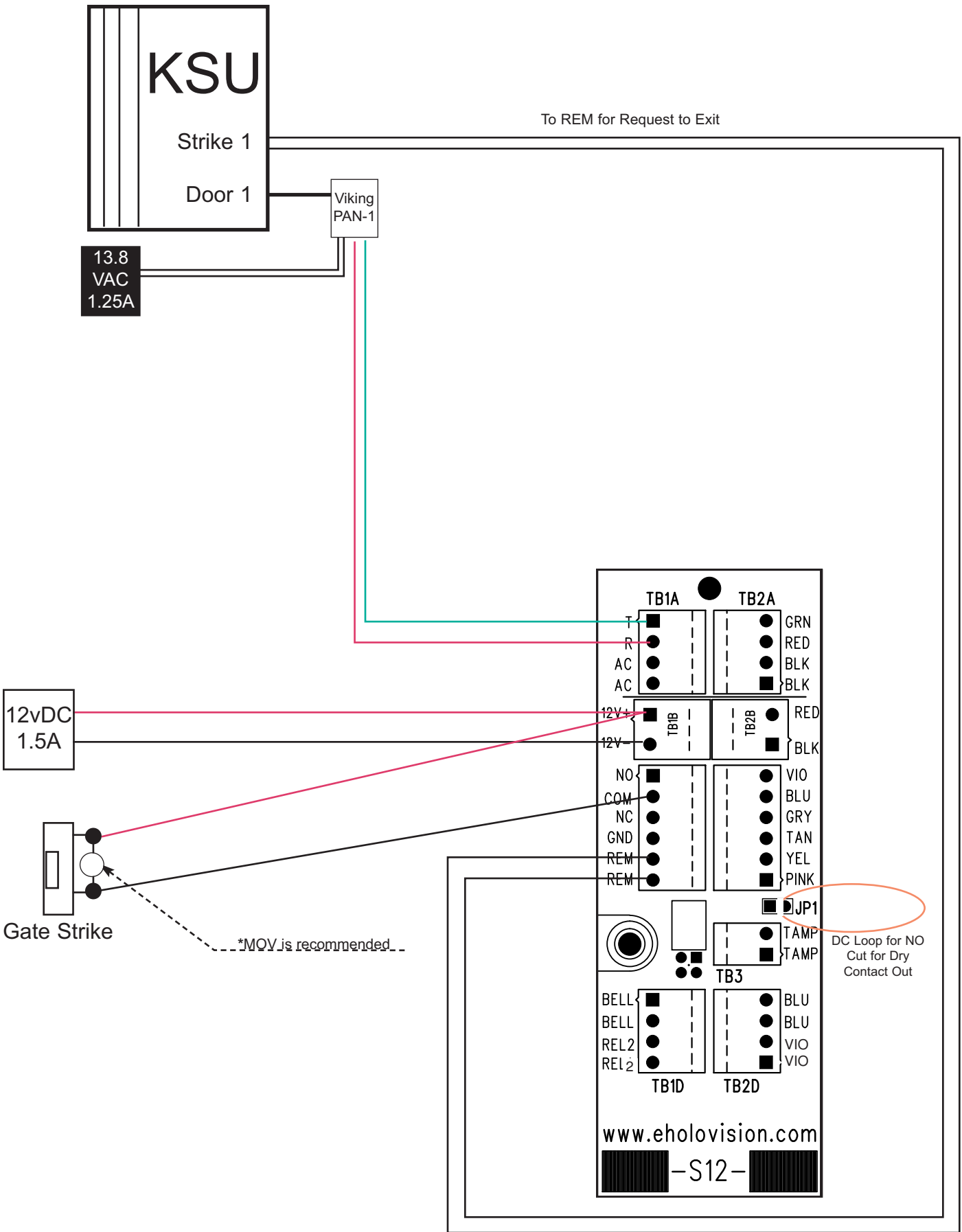


400 Series "W" Junction Board

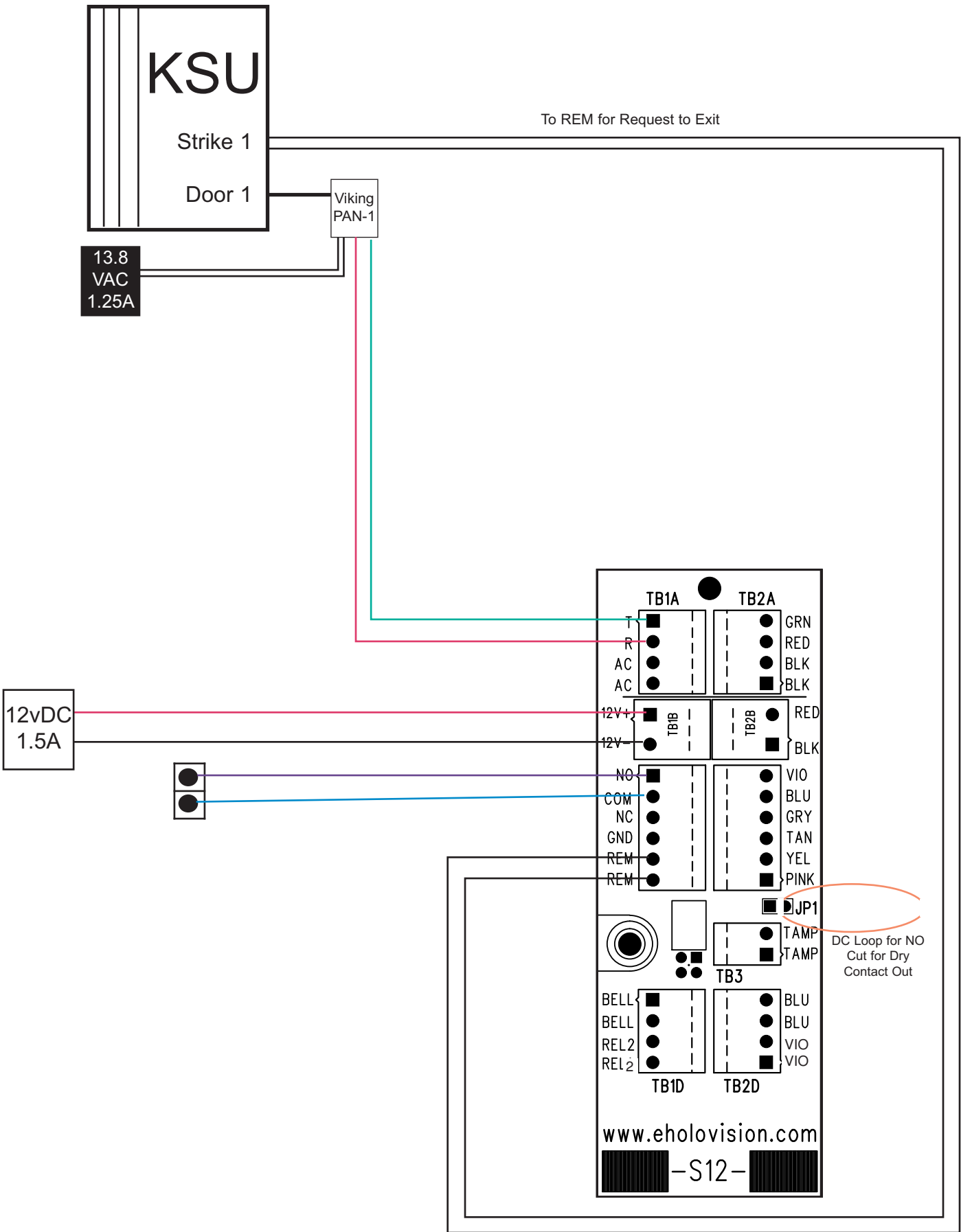
501 E. Goetz Ave.  
 Santa Ana, Ca 92707  
 www.eholovision.com  
 Ph. 714-434-6904  
 Fax 800-362-0002

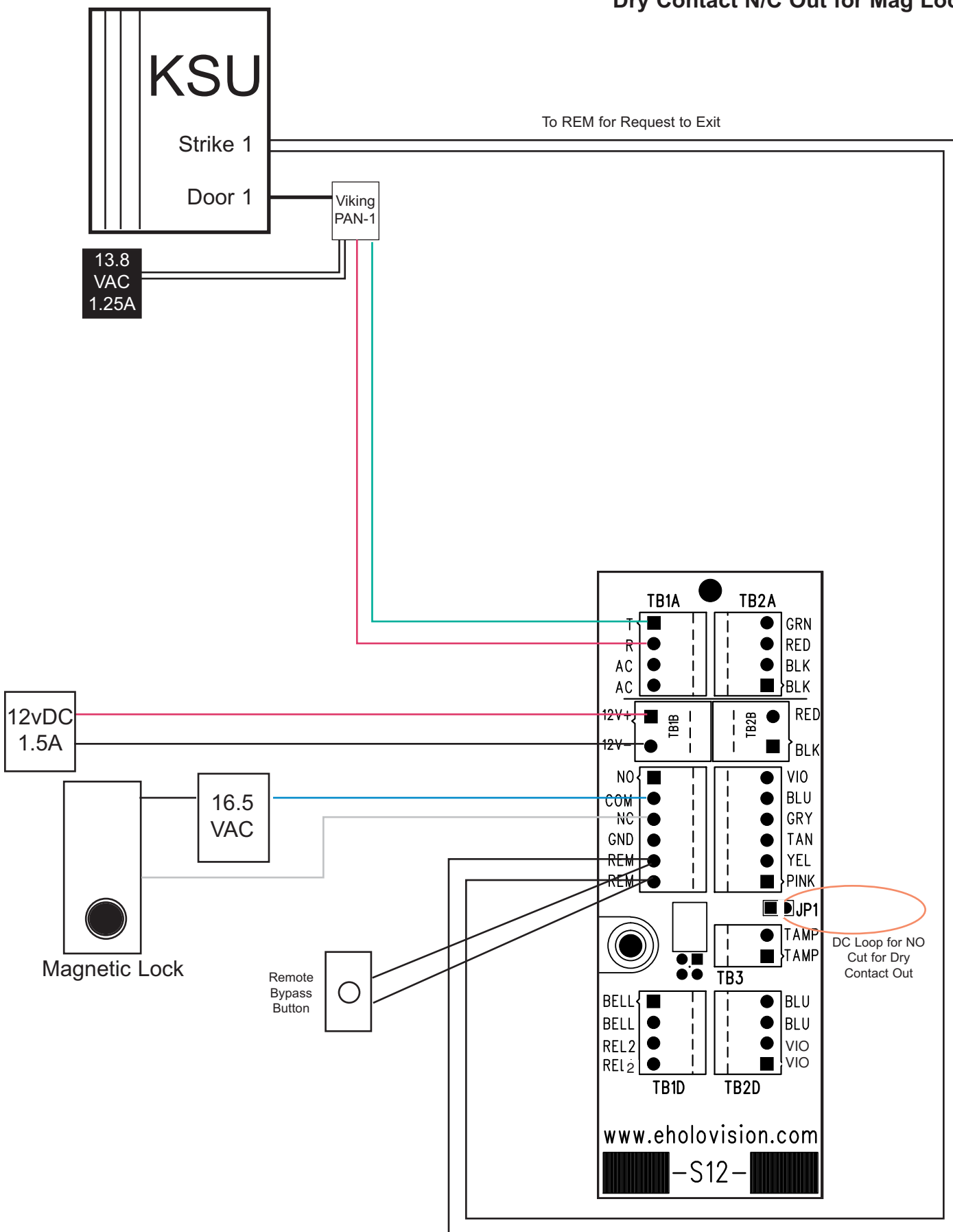
# DoorBird D2100 Accessory Connections





N/O Contact Out for Gate Motor





# Programming the Essex Keypad

## Set Keypad Illumination to ON ALL OF THE TIME

STEP	ACTION	BEEP	Red LED	Green LED
1	Remove power			
2	Jumper the "CONFIG" pins on the rear of the keypad . V = 12			
3	Apply 12 VDC power to red and black wires	Quadruple Beep	Flash	Solid
4	Enter <b>9 9</b> followed by <b>#</b>	Double Beep	Flash	Solid
5	Enter <b>2 1 4</b> followed by <b>#</b>	Triple Beep	Flash	Solid
6	Remove power			
7	Remove "CONFIG" jumper			
8	Reapply power			

## Set Master Code

STEP	ACTION	BEEP	Red LED	Green LED
1	<b>The default Master Code is "123".</b> This can be changed to a unique code 3 - 8 digits long			
2	Enter <b>* 3 1 2 3 #</b>	Double Beep	Fast Flash	Solid
3	Enter <b>1 #</b>	Double Beep	Fast Flash	Slow Flash
4	Enter new master code, followed by <b>#</b>	Triple Beep	Fast Flash	Solid
5	Enter <b>* *</b>	Double Beep		
6	EXAMPLE: old code is 123, new code is 456 <b>* 3 1 2 3 # 1 # 4 5 6 # * *</b>			

**Note:** If the User ID, or User Code/PIN has already been assigned, you will hear one long beep when # is entered. In this case, choose a different User ID / PIN, or see the instructions for changing or deleting codes.

**DEFAULT USER CODE & MASTER CODE IS "123#"**

# Programming the Essex Keypad

## Set User Codes

STEP	ACTION	BEEP	Red LED	Green LED
1	The Master Code is necessary to do this step. <b>Master Code "123" is used as an example.</b>			
2	Enter * 1 1 2 3 #	Double Beep	Slow Flash	Solid
3	Enter 1 # <span style="border: 1px solid black; padding: 0 2px;">N</span>	Double Beep	Slow Flash	Slow Flash
4	Enter 1st User ID (1-500), followed by # <span style="border: 1px solid black; padding: 0 2px;">N</span>	Double Beep	Slow Flash	Fast Flash
5	Enter 1st User Code/PIN, followed by # <span style="border: 1px solid black; padding: 0 2px;">N</span>	Double Beep	Slow Flash	Fast Flash
6	Enter # to complete User 1 programming <span style="border: 1px solid black; padding: 0 2px;">N</span>	Triple Beep	Slow Flash	Slow Flash
7	Enter 2nd User ID (1-500), followed by #	Double Beep	Slow Flash	Fast Flash
8	Enter 2nd User Code/PIN, followed by #	Double Beep	Slow Flash	Fast Flash
9	Enter # to complete User 2 programming	Triple Beep	Slow Flash	Slow Flash
10	Enter * * * *	Double Beep X 2		

Example for entering user code 1 and 2- \* 1 1 2 3 # 1 # 1# 4 5 6 ## 2 # 7 8 9 # # \* \* \* \*

## Changing User Codes - using User ID

STEP	ACTION	BEEP	Red LED	Green LED
1	The Master Code is necessary to do this step. <b>Master Code "123" is used as an example.</b>			
2	Enter * 1 1 2 3 #	Double Beep	Slow Flash	Solid
3	Enter 2 #	Double Beep	Slow Flash	Slow Flash
4	Enter User ID to be changed (1-500), followed by #	Double Beep	Slow Flash	Fast Flash
5	Enter new User Code/PIN, followed by # <span style="border: 1px solid black; padding: 0 2px;">N</span>	Double Beep	Slow Flash	Fast Flash
6	Enter # to complete programming	Triple Beep	Slow Flash	Slow Flash
7	Enter * * * *	Double Beep X 2		

Example for changing user code 1- \* 1 1 2 3 # 2 # 1 # 7 8 9 # # \* \* \* \*

N **Note:** If the User ID, or User Code/PIN has not been assigned, you will hear one long beep when # is entered.

# Programming the Essex Keypad

## Deleting User Codes - using User Code/PIN

STEP	ACTION	BEEP	Red LED	Green LED
1	The Master Code is necessary to do this step. In this example, the Master Code is 123			
2	Enter * 1 1 2 3 #	Double Beep	Slow Flash	Solid
3	Enter 5 # <span style="border: 1px solid black; padding: 0 2px;">N</span>	Double Beep	Slow Flash	Slow Flash
4	Enter User Code/PIN to be changed, followed by #	Double Beep	Slow Flash	Fast Flash
5	Enter new User Code/PIN, followed by #	Double Beep	Slow Flash	Fast Flash
6	Enter # to complete programming	Triple Beep	Slow Flash	Slow Flash
7	Enter * * * *	Double Beep X 2		

Example for deleting user code # 456- \* 1 1 2 3 # 5 # 4 5 6 # 7 8 9 # # \* \* \* \*

## Deleting User Codes - using User ID

STEP	ACTION	BEEP	Red LED	Green LED
1	The Master Code is necessary to do this step. In this example, the Master Code is 123			
2	Enter * 1 1 2 3 #	Double Beep	Slow Flash	Solid
3	Enter 4 #	Double Beep	Slow Flash	Slow Flash
4	Enter 1st User ID to be deleted (1-500), followed by # <span style="border: 1px solid black; padding: 0 2px;">N</span>	Triple Beep	Slow Flash	Fast Flash
5	Enter 2nd User ID to be deleted (1-500), followed by # <span style="border: 1px solid black; padding: 0 2px;">N</span>	Triple Beep	Slow Flash	Fast Flash
6	Enter * * * *	Double Beep X 2		

Example for deleting user ID 1 and 2- \* 1 1 2 3 # 4 # 1 # 2 # # \* \* \* \*

N **Note:** If the User ID, or User Code/PIN has not been assigned, you will hear one long beep when # is entered.



# Programming the Essex Keypad

Reset Keypad to Factory Defaults--- This is not normally necessary, but can be done as follows

Step	Action	BEEP	Red LED	Green LED
1	Remove power			
2	Jumper the "CONFIG" pins on the rear of the keypad			
3	Apply 12 VDC power to red and black wires ONLY	Quadruple Beep	Flash	Solid
5	Enter <b>0 0 9 9 #</b>	Double Beep	Flash	3 Sec Flash
6	WAIT about 4 seconds	Quadruple Beep	Flash	Solid
7	Enter <b>9 9 #</b>	Triple Beep	Flash	Solid
8	Remove power			
9	Remove "CONFIG" jumper			
10	Reapply power			

## Setting Main Relay Opening Time

STEP	ACTION	BEEP	Red LED	Green LED
1	<b>The default Master Code is "123".</b> This can be changed to a unique code 3 - 8 digits long.			
2	Enter <b>*3 1 2 3 #</b>	Double Beep	Slow Flash	Solid
3	Enter <b>2 #</b>	Double Beep	Slow Flash	Slow Flash
4	Enter the desired activation time in <b>Seconds</b> followed by <b>#</b>	Triple Beep	Slow Flash	Solid
5	Enter <b>* *</b> to exit			
6	Example: <b>2 # 10 # * *</b> (10 second activation time)			

**Note:** If the User ID, or User Code/PIN has not been assigned, you will hear one long beep when # is entered.

