

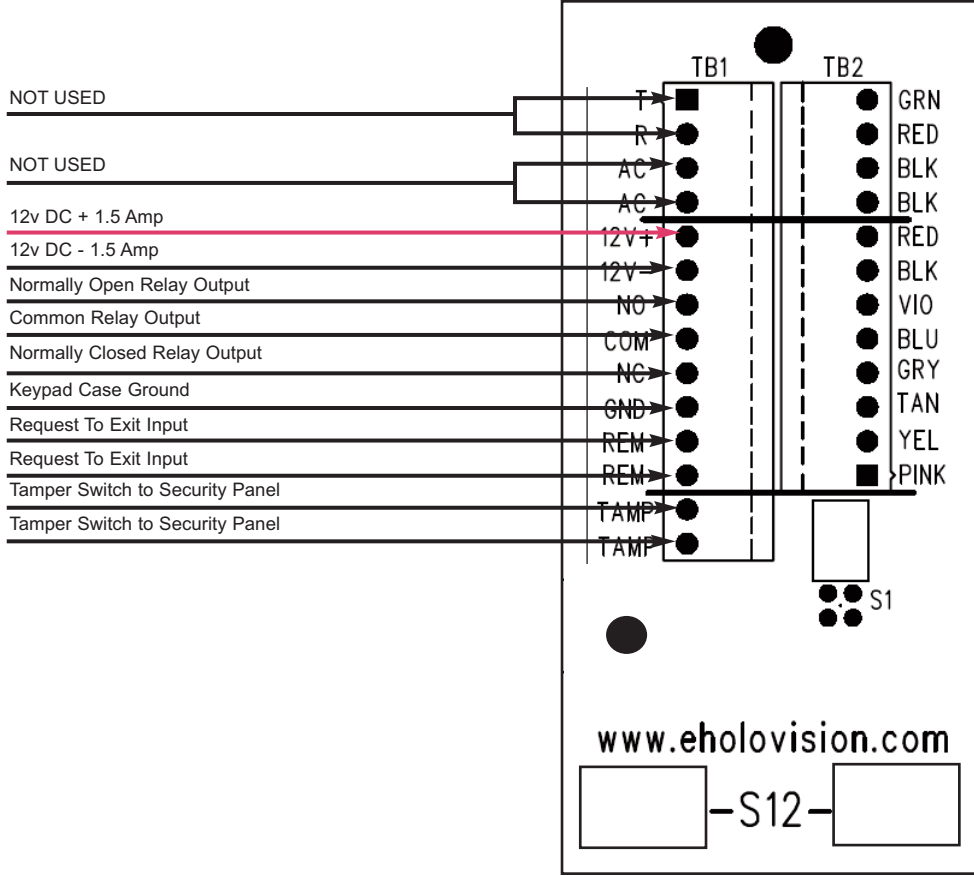


Manual Type 6.2.0.13-RF
RING Elite Unit with RING LEO
Controller and Essex
S-12 "Stand-Alone" Keypad

For Models _____

401-S12-RING
 518-S12-RING

Specifications	
Communication RING Elite Pro	Access Control Essex "stand-alone" 12 button keypad 1 relay plus 2 grounding outputs (external relays required) RING LEO Controller 12 VDC power supply included



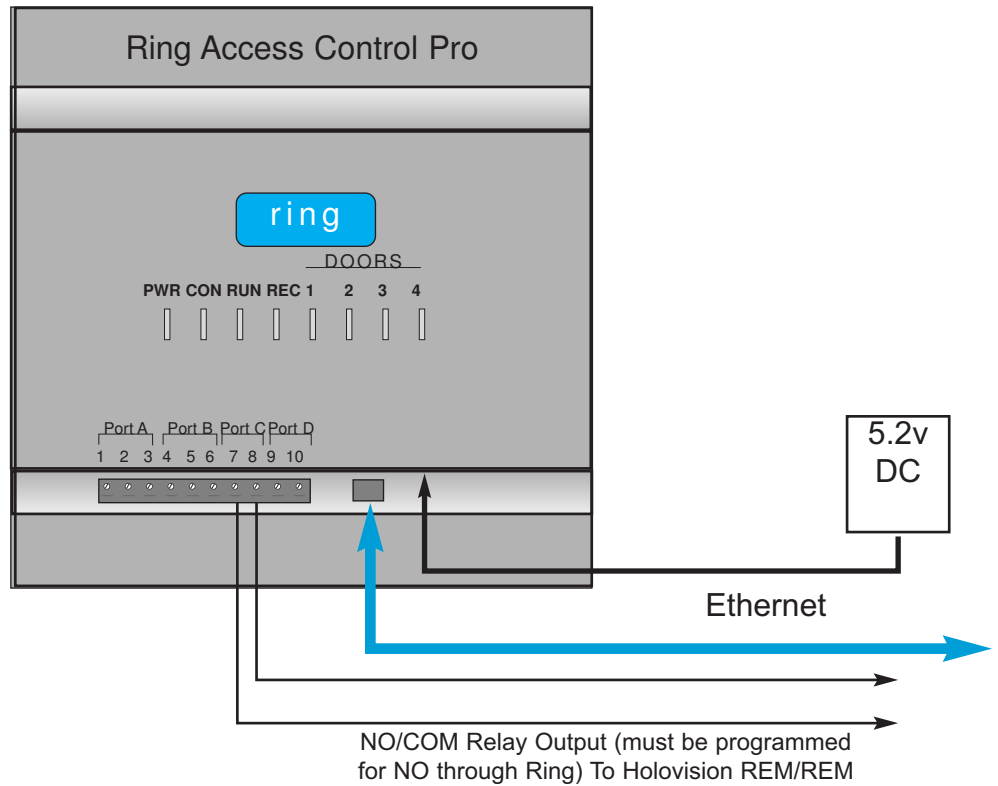
400 Series "S-12" Junction Board

INSTALLATION
INSTRUCTIONS

501 E. Goetz Ave.
 Santa Ana, Ca 92707
 www.eholovision.com
 Ph. 714-434-6904
 Fax 800-362-0002

HOLOVISION

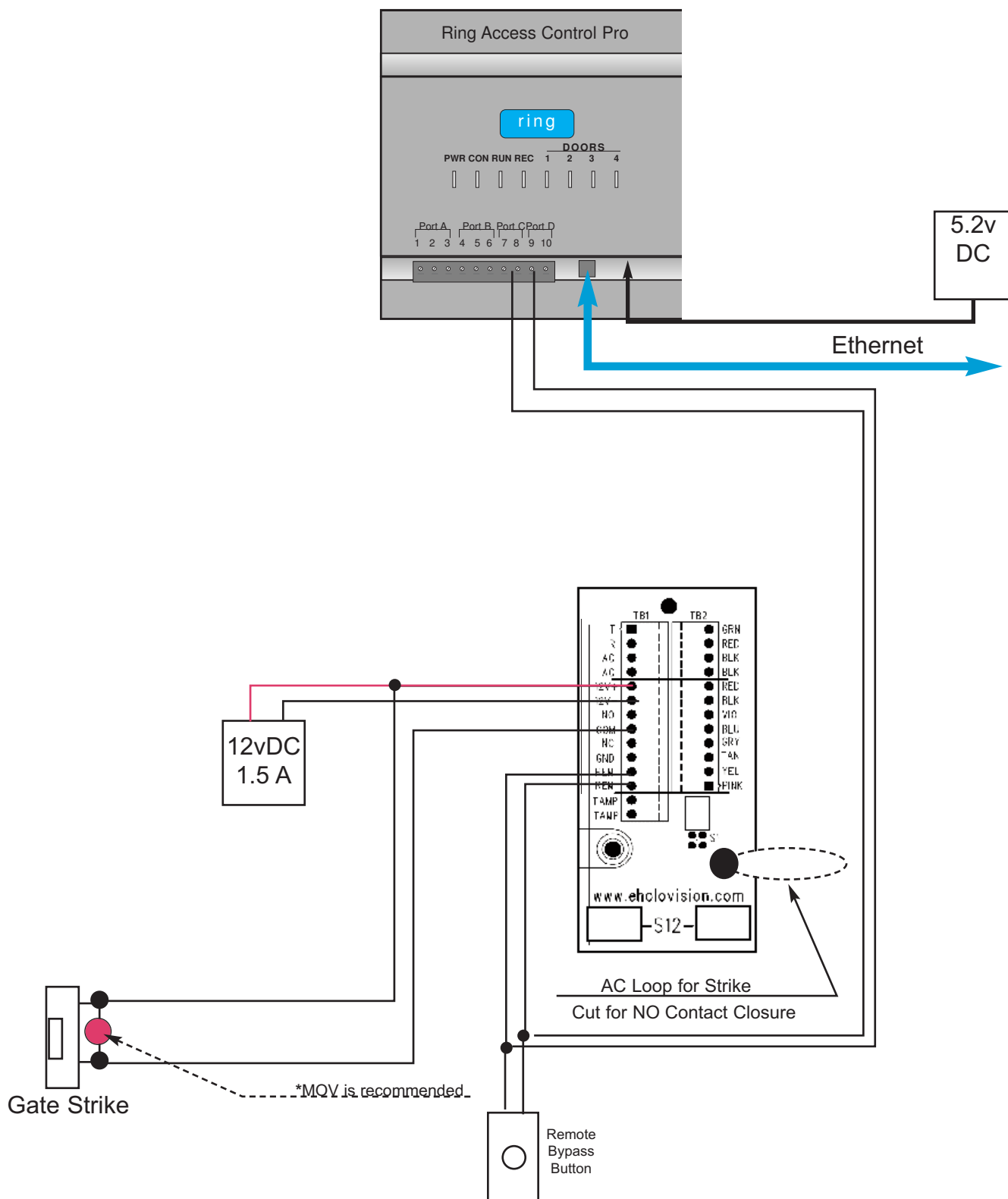
RING LEO Controller



To setup your RING LEO controller please contact RING at
ring-acp-device-support@amazon.com
1(888)255-1041

Essex Keypad Wiring

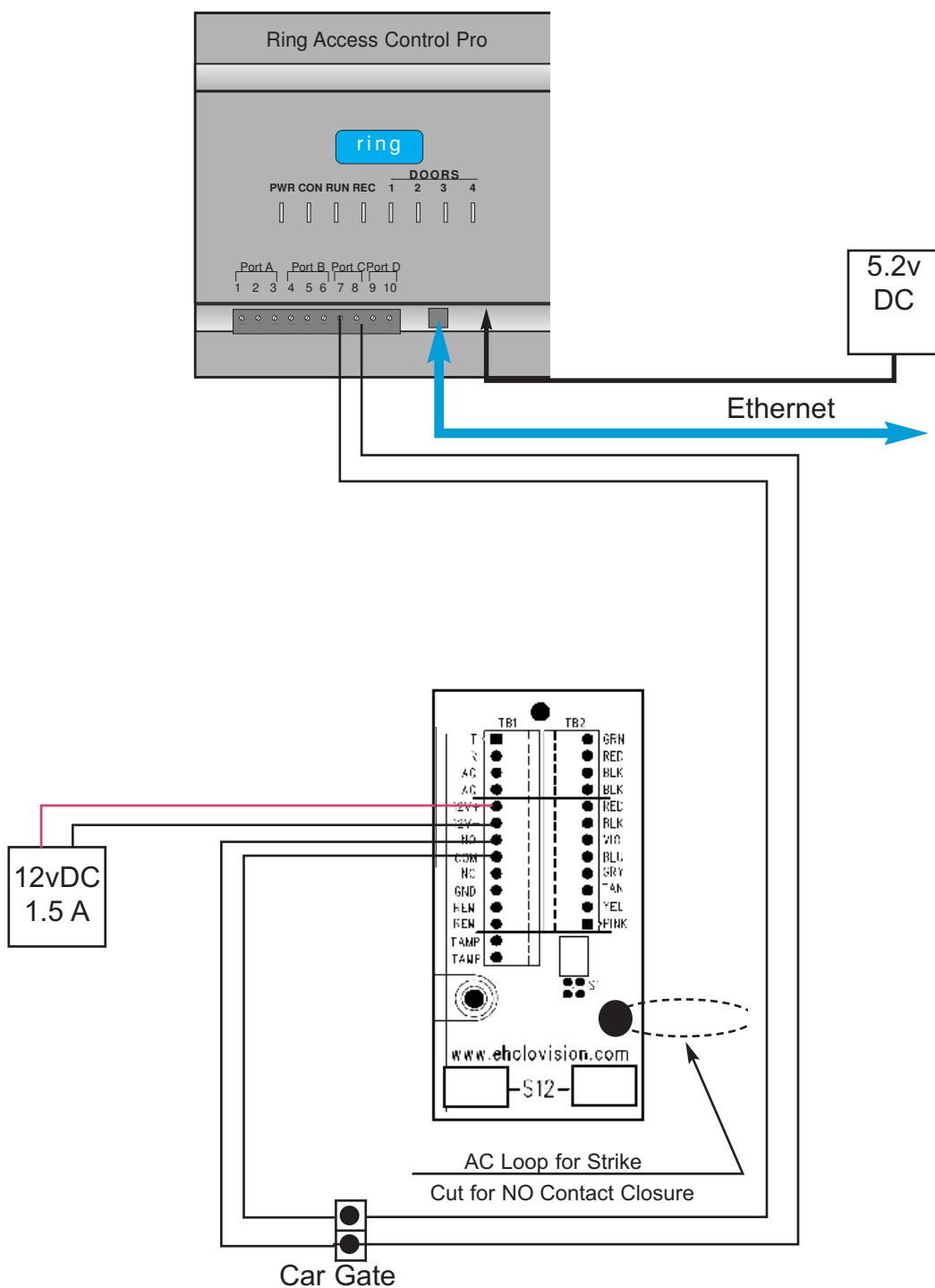
DC Out for Gate Strike



NOTE: MOV (metal oxide varistor) is the small red component which is included. Its purpose is to absorb "inductive kick back" which can be created when power is removed from the strike. Loop is required from DC positive to contact common for DC voltage to strike.

Essex Keypad Wiring

Contact Closure for Gate Operation



Programming the Essex Keypad

Set Keypad Illumination to **ON ALL OF THE TIME**

STEP	ACTION	BEEP	Red LED	Green LED
1	Remove power			
2	Jumper the "CONFIG" pins on the rear of the keypad . V = 12			
3	Apply 12 VDC power to red and black wires	Quadruple Beep	Flash	Solid
4	Enter 9 9 followed by #	Double Beep	Flash	Solid
5	Enter 2 1 4 followed by #	Triple Beep	Flash	Solid
6	Remove power			
7	Remove "CONFIG" jumper			
8	Reapply power			

Set Master Code

STEP	ACTION	BEEP	Red LED	Green LED
1	The default Master Code is "123". This can be changed to a unique code 3 - 8 digits long			
2	Enter * 3 1 2 3 #	Double Beep	Fast Flash	Solid
3	Enter 1 #	Double Beep	Fast Flash	Slow Flash
4	Enter new master code, followed by #	Triple Beep	Fast Flash	Solid
5	Enter * *	Double Beep		
6	EXAMPLE: old code is 123, new code is 456 * 3 1 2 3 # 1 # 4 5 6 # * *			

Note: If the User ID, or User Code/PIN has already been assigned, you will hear one long beep when # is entered. In this case, choose a different User ID / PIN, or see the instructions for changing or deleting codes.

DEFAULT USER CODE & MASTER CODE IS "123#"

Programming the Essex Keypad

Set User Codes

STEP	ACTION	BEEP	Red LED	Green LED
1	The Master Code is necessary to do this step. Master Code "123" is used as an example.			
2	Enter * 1 1 2 3 #	Double Beep	Slow Flash	Solid
3	Enter 1 # N	Double Beep	Slow Flash	Slow Flash
4	Enter 1st User ID (1-500), followed by # N	Double Beep	Slow Flash	Fast Flash
5	Enter 1st User Code/PIN, followed by # N	Double Beep	Slow Flash	Fast Flash
6	Enter # to complete User 1 programming N	Triple Beep	Slow Flash	Slow Flash
7	Enter 2nd User ID (1-500), followed by #	Double Beep	Slow Flash	Fast Flash
8	Enter 2nd User Code/PIN, followed by #	Double Beep	Slow Flash	Fast Flash
9	Enter # to complete User 2 programming	Triple Beep	Slow Flash	Slow Flash
10	Enter * * * *	Double Beep X 2		
Example for entering user code 1 and 2- * 1 1 2 3 # 1 # 1# 4 5 6 ## 2 # 7 8 9 ## * * * *				

Changing User Codes - using User ID

STEP	ACTION	BEEP	Red LED	Green LED
1	The Master Code is necessary to do this step. Master Code "123" is used as an example.			
2	Enter * 1 1 2 3 #	Double Beep	Slow Flash	Solid
3	Enter 2 #	Double Beep	Slow Flash	Slow Flash
4	Enter User ID to be changed (1-500), followed by #	Double Beep	Slow Flash	Fast Flash
5	Enter new User Code/PIN, followed by # N	Double Beep	Slow Flash	Fast Flash
6	Enter # to complete programming	Triple Beep	Slow Flash	Slow Flash
7	Enter * * * *	Double Beep X 2		
Example for changing user code 1- * 1 1 2 3 # 2 # 1 # 7 8 9 ## * * * *				

N **Note:** If the User ID, or User Code/PIN has not been assigned, you will hear one long beep when # is entered.

Programming the Essex Keypad

Deleting User Codes - using User Code/PIN

STEP	ACTION	BEEP	Red LED	Green LED
1	The Master Code is necessary to do this step. In this example, the Master Code is 123			
2	Enter * 1 1 2 3 #	Double Beep	Slow Flash	Solid
3	Enter 5 # N	Double Beep	Slow Flash	Slow Flash
4	Enter User Code/PIN to be changed, followed by #	Double Beep	Slow Flash	Fast Flash
5	Enter new User Code/PIN, followed by #	Double Beep	Slow Flash	Fast Flash
6	Enter # to complete programming	Triple Beep	Slow Flash	Slow Flash
7	Enter * * * *	Double Beep X 2		

Example for deleting user code # 456- * 1 1 2 3 # 5 # 4 5 6 # 7 8 9 # # * * * *

Deleting User Codes - using User ID

STEP	ACTION	BEEP	Red LED	Green LED
1	The Master Code is necessary to do this step. In this example, the Master Code is 123			
2	Enter * 1 1 2 3 #	Double Beep	Slow Flash	Solid
3	Enter 4 #	Double Beep	Slow Flash	Slow Flash
4	Enter 1st User ID to be deleted (1-500), followed by # N	Triple Beep	Slow Flash	Fast Flash
5	Enter 2nd User ID to be deleted (1-500), followed by # N	Triple Beep	Slow Flash	Fast Flash
6	Enter * * * *	Double Beep X 2		

Example for deleting user ID 1 and 2- * 1 1 2 3 # 4 # 1 # 2 # # * * * *

N **Note:** If the User ID, or User Code/PIN has not been assigned, you will hear one long beep when # is entered.

Programming the Essex Keypad

Reset Keypad to Factory Defaults--- This is not normally necessary, but can be done as follows

STEP	ACTION	BEEP	Red LED	Green LED
1	Remove power			
2	Jumper the "CONFIG" pins on the rear of the keypad			
3	Apply 12 VDC power to red and black wires ONLY	Quadruple Beep	Flash	Solid
5	Enter 0 0 9 9 #	Double Beep	Flash	3 Sec Flash
6	WAIT about 4 seconds	Quadruple Beep	Flash	Solid
7	Enter 9 9 #	Triple Beep	Flash	Solid
8	Remove power			
9	Remove "CONFIG" jumper			
10	Reapply power			

Setting Main Relay Opening Time

STEP	ACTION	BEEP	Red LED	Green LED
1	The default Master Code is "123". This can be changed to a unique code 3 - 8 digits long.			
2	Enter *3 1 2 3 #	Double Beep	Slow Flash	Solid
3	Enter 2 #	Double Beep	Slow Flash	Slow Flash
4	Enter the desired activation time in Seconds followed by #	Triple Beep	Slow Flash	Solid
5	Enter * * to exit			
6	Example: 2 # 10 # * * (10 second activation time)			

Note: If the User ID, or User Code/PIN has not been assigned, you will hear one long beep when # is entered.